



GROUPE SEFMAT

**RIPACK®**

**USER'S GUIDE**

**RIPACK 2500**



**YOUR PROTECTION  
BY EXCELLENCE**

REGISTER YOUR PRODUCT  
ONLINE WARRANTY CONTRACT  
[WWW.RIPACK.COM/ EN/REGISTER-A-PRODUCT/](http://WWW.RIPACK.COM/EN/REGISTER-A-PRODUCT/)



## GAS CYLINDER CART

The Ripack gas bottle trolley is the essential accessory to move your gas cylinders easily and safely and to ensure the longevity of your equipment.

Its design allows a great support, and the mast assists you in the handling and protection of the hose. The new carts were thought to be a real workstation. They are designed to be a real workstation, which is why they are equipped with a tool bag, allowing you to carry your tools easily. The 936+ and 932 carts are also equipped with a shelf, as well as a magnetic device.



## GAS HOSE REEL WINDER

Heavy duty construction for industrial application : corrosion resistant powder coated steel, four-direction non-snap rollers reducing hose wear abrasion.

Possible mounting on wall, ceiling or floor.  
Provided with swiveling support for a greater ease of work.  
Adjustable guiding arm for horizontal or vertical hose release.



## TURBOPACK SHRINK COLUMN

The Turbopack is a mobile heating column, loaded on an easily movable trolley.

Its unique design allows for a surge of hot air flow for unmatched efficiency, even on thick films. 50 seconds are enough to heat-shrink a pallet (Euro type) up to 3.2 meters.

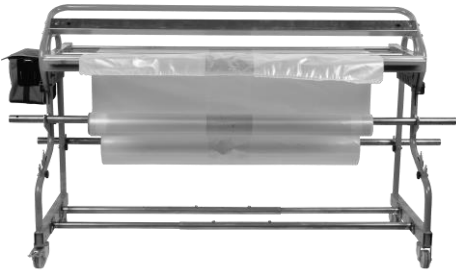
Adapting to your load is very simple, a series of shutoff valves allow you to consume the right amount of gas and the heat reflector (visor) plate (optional) can be adjusted with a simple gesture with the help of a balancer. No need for complex programming, tedious handling or long and costly training.



## MULTICOVER FILM SEALERS

The Multicover sealers allow to make pallet covers and bags from rolls of shrink-film when required and in any size.

Make savings by avoiding useless stock of various heights and sizes.



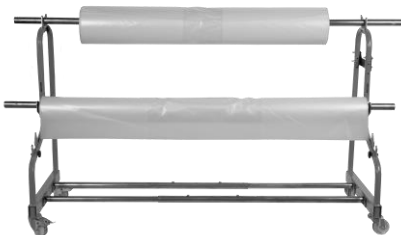
**MULTICOVER 955**  
Ripack Heat Gun Sealing



**MULTICOVER 960**  
Electrical impulse sealing



2nd reel in option



**MULTICOVER 935**

## CALPACK PALLET RAISER

Quick and easy to set up, the Calpack allows the film to shrink under the pallet. The load is thus perfectly stabilized with the pallet. Calpack can be used as well with a pallet-truck or a fork-lift.



# TOOL BAG CONTENT

ENGLISH



Securipack  
Pressure  
Regulator

Wrench

Swivel  
connector

7,5 m gas  
hose

User's  
guide



GROUPE SEFMAT

**RIPACK®**

ENGLISH

## **Ripack 2500**

**HAND-HELD PROPANE-FIRED SHRINK GUN FOR  
SHRINK-WRAPPING PLASTIC FILMS**









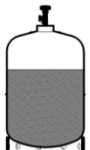
### **USER'S GUIDE**



<b>WARNINGS</b>	<b>7</b>
<b>OPERATION</b>	<b>13</b>
<b>CONNECTIONS</b>	<b>14</b>
<b>SPARE PARTS</b>	<b>16</b>
<b>EXAMPLES OF USE</b>	<b>17</b>
<b>MAINTENANCE</b>	<b>19</b>
<b>WARRANTY</b>	<b>24</b>
<b>EXPLODED VIEW</b>	<b>25</b>
<b>SPARE PARTS LIST</b>	<b>27</b>
<b>DECLARATION OF CONFORMITY</b>	<b>28</b>



TO BE READ BEFORE STARTING FOR THE FIRST TIME.

	<p>Do not use this device in regulated areas with specific fire or explosion hazards.</p>
	<p>Do not use the device to shrink the plastic film on a floor made of combustible material (wood, plastic, etc...).</p>
	<p>Delineate a working area such that the tip of the thermal lance is always at least more than 1,5 m inside this area and prohibit access to unauthorized individuals.</p>
	<p>Make sure there are no leaks on the fittings and inspect the pipe for cracks or loose connections.</p>
	<p>Must hand an appropriate fire extinguisher or suitably-sized spray filled with water.</p>
	<p>Avoid wearing highly flammable nylon or similar clothing.</p>
	<p>Wear heat-resistant gloves while using the device.</p>
	<p>Maintain strict supervision for at least 2 hours after retraction.</p>
	<p>Check that the regulator fits properly with the gas cylinder.</p>

This appliance is meant exclusively for professional use and for shrinking plastic films. Users of the Ripack 2500 shrink gun must read this user's guide completely and must be trained for applications that require the use of this appliance.

### **READ ALL INSTRUCTIONS.**

This appliance is meant **exclusively** for professional use.

- a. Before using, check all parts for proper function and damage to component parts.
- b. Do not use this torch to heat, mold or bend plastic sheets, molding or tubing.
- c. Hidden areas such as behind walls, ceilings, floors, soffit boards and other panels may contain flammable materials that could be ignited by the heat gun when working in these locations. The ignition of these materials may not be readily apparent and could result in property damage and injury to persons.
- d. When working in these locations, keep the torch moving in a back-and-forth motion. Lingering or pausing in one spot could ignite the panel or the material behind it."
- e. Not use this torch to remove paint (if the torch can be used to remove paint, items (f) and (g) below shall be used).
- f. **WARNING:** Extreme care should be taken when stripping paint. The peelings, residue and vapors of paint may contain lead, which is poisonous. Any pre-1977 paint may contain lead and paint applied to homes prior to 1950 is likely to contain lead. Once deposited on surfaces, hand to mouth contact can result in the ingestion of lead. Exposure to even low levels of lead can cause irreversible brain and nervous system damage; young and unborn children are particularly vulnerable. Before beginning any paint removal process, you should determine whether the paint you are removing contains lead.

This can be done by your local health department or by a professional who uses a paint analyzer to check the lead content of the paint to be removed. **LEAD-BASED PAINT SHOULD ONLY BE REMOVED BY A PROFESSIONAL AND SHOULD NOT BE REMOVED USING A HEAT GUN.**

g. Persons removing paint should follow these guidelines:

1. Move the work piece outdoors. If this is not possible, keep the work area well ventilated. Open the windows and put an exhaust fan in one of them. Be sure the fan is moving the air from inside to outside.
2. Remove or cover any carpets, rugs, furniture, clothing, cooking utensils and air ducts.
3. Place drop cloths in the work area to catch any paint chips or peelings. Wear protective clothing such as extra work shirts, overalls and hats.
4. Work in one room at a time. Furnishings should be removed or placed in the center of the room and covered. Work areas should be sealed off from the rest of the dwelling by sealing doorways with drop cloths.
5. Children, pregnant or potentially pregnant women and nursing mothers should not be present in the work area until the work is done and all clean up is complete.
6. Wear a dust respirator mask or a dual filter (dust and fume) respirator mask which has been approved by the Occupational Safety and Health Administration (OSHA), the National Institute of Safety and Health (NIOSH), or the United States Bureau of Mines. These masks and replaceable filters are readily available at major hardware stores. Be sure the mask fits. Beards and facial hair may keep masks from sealing properly. Change filters often. **DISPOSABLE PAPER MASKS ARE NOT ADEQUATE.**
7. Use caution when operating the heat gun. Keep the heat gun moving, as excessive heat will generate fumes, which can be inhaled by the operator.
8. Keep food and drink out of the work area. Wash hands, arms and face and rinse mouth before eating or drinking. Do not smoke or chew gum or tobacco in the work area.
9. Clean up all removed paint and dust by wet mopping the floors. Use a wet cloth to clean all walls, sills and any other surface where paint or dust is clinging. **DO NOT SWEEP, DRY DUST OR VACUUM.** Use a high phosphate detergent or trisodium phosphate (TSP) to wash and mop areas.
10. At the end of each work session put the paint chips and debris in a double plastic bag, close it with tape or twist ties and dispose of properly.
11. Remove protective clothing and work shoes in the work area to avoid carrying dust into the rest of the dwelling. Wash work clothes separately. Wipe shoes off with a wet rag that is then washed with the work clothes. Wash hair and body thoroughly with soap and water.



- h. Close the valve of the gas bottle when not in use for long periods of time.
- i. Press the trigger to empty the gas hose and release the pressure.
- j. Never heat a specific area continuously.
- k. Keep the working zone clean and remove all waste (wood, paper, other inflammable materials).
- l. For all work inside professional workshops, the gas bottle must be placed on a mobile trolley that can be maneuvered easily.
- m. SAVE THESE INSTRUCTIONS.

This user's guide must be kept for future reference.

Do not use this appliance for shrinking plastic film on materials, substances, products or liquids that inflame spontaneously, either processed in bulk or packed, and do not use the appliance in the storage areas of these products or in spaces where it is explicitly forbidden to smoke for safety reasons.

Do not use this appliance for shrinking plastic film on a floor that is made of combustible material (wood, plastic, etc..).

Close the valve of the gas bottle when not in use for long periods of time.

Press the trigger to empty the gas hose and release the pressure.

Never heat a specific area continuously.

Keep the working zone clean and remove all waste (wood, paper, other inflammable materials).

For all work inside professional workshops, the gas bottle must be placed on a mobile trolley that can be maneuvered easily.

**This appliance, like all other gas appliances, consumes air and produces combustion fumes that contain CO<sub>2</sub> and CO. Exposure to high concentrations of the latter gas is lethal. Make sure there is sufficient ventilation in accordance with the amount of time the appliance is used (see «Technical Characteristics»).**

**We recommend that the appliance be used in a room without specific pollution which has a minimum volume of 16 m<sup>3</sup> (fresh air flow: 48m<sup>3</sup>/h).**

Never work in a basement.

Before using the appliance, make sure that you are conforming to the guidelines for using liquid gas.

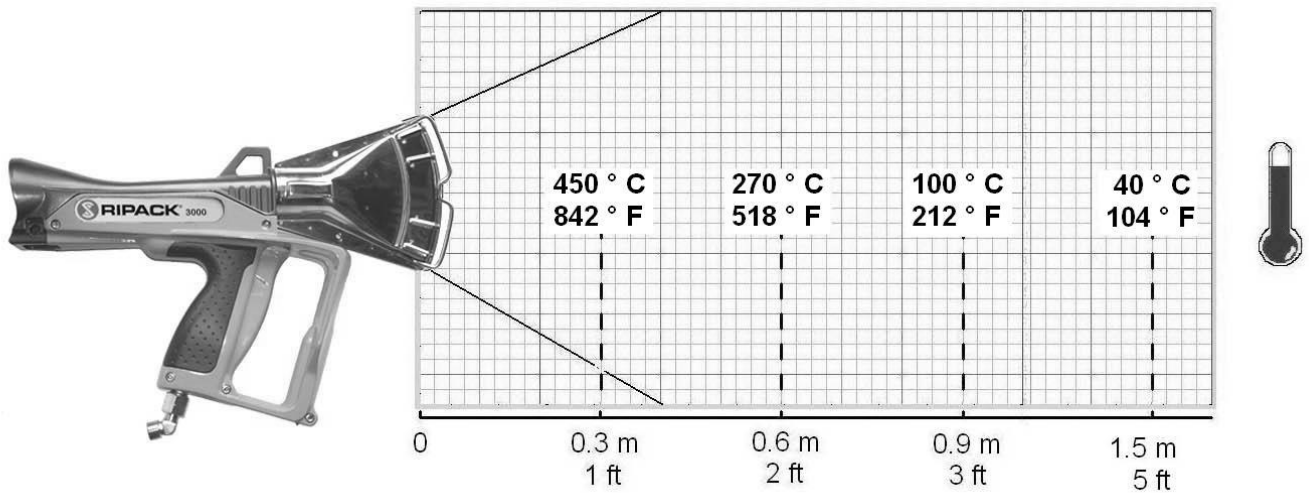


In operation, this appliance produces a flame. Do not point the flame towards yourself, other persons or animals, towards the gas bottle or the hose, or towards inflammable materials.



Please refer to the **regulations applicable in the country of use** concerning the conformity and use of the products and accessories offered in our Ripack® range. The use of Ripack® accessories, connections and spare parts is essential for the correct operation and guarantee of our products and for the safety of people and property.

In operation, the appliance creates a danger zone up to 0,9 meters (3 feet) in front of the fire nozzle.



We draw the attention of operators to the fact that within the danger zone, there is a possible risk of burning for persons and animals, and goods can be damaged or catch fire.

In use, the gun must always be in motion so that the material used does not exceed the maximum temperature specified by the supplier.

This temperature depends on the operating distance, the exposure time and the power setting of the camera.

This appliance, which is designed for applying plastic films by heating, can also be used for other purposes where the products can withstand the heat produced by a naked flame. Such use is explicitly the responsibility of the user. The manufacturer's guidelines of the product that is being handled must be always followed. In addition, the national, federal and local regulations about the operation of appliances with a naked flame must also be respected.

To operate the appliance safely, you must follow the warnings mentioned above as well as the guidelines provided by the manufacturer of the materials being handled. The safety distance, the duration of exposure and the adjustment of the appliance for the different materials being handled, depend on the instructions provided by the manufacturer of the materials in question.

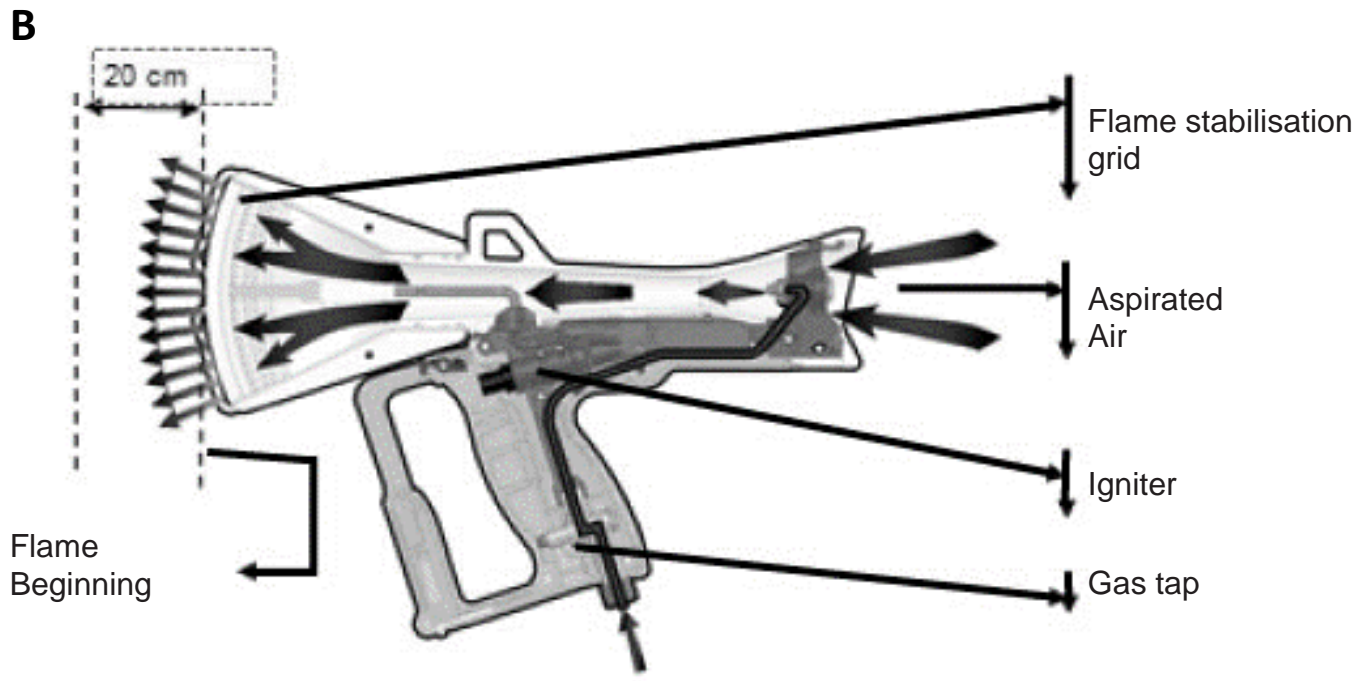
Always contact your RIPACK distributor for all maintenance work and spare parts.

The RIPACK 2500 propane works with propane according to the principle of atmospheric air burners induced at high speed (diagram B).

Ignition is performed using a piezoelectric lighter that is activated simultaneously with the release of gas activated by the trigger, which is the sole operating mechanism.

The RIPACK 2500 is a gun incorporating several safety mechanisms:

- Its original and patented design ensures combustion without heating its combustion nozzle (cold nozzle).
- A security valve system cuts off the gas supply if the hose breaks or tears.
- An automatic safety device (so-called dead man's switch) cuts the supply of gas automatically if the trigger is released. This stops the heating immediately. This dead man's device must never be blocked in the open position in any way.
- A guard in front of the trigger prevents untimely operation.


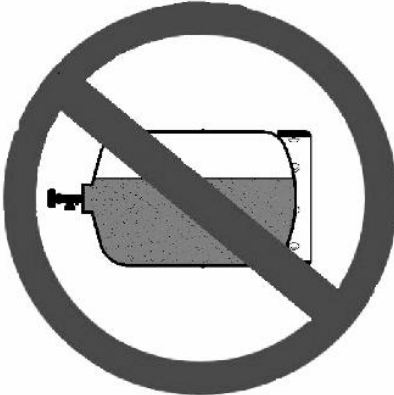


# PROPANE GAS APPLIANCE

## TECHNICAL CHARACTERISTICS :

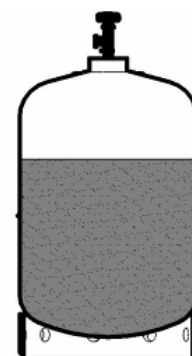
	<b>SI SYSTEM</b>
Pressure (bar)	1,5 to 3,5
Power (kW)	34 to 60
Consumption (kg/h)	2,2 to 4
Air intake (m <sup>3</sup> /h)	30 to 54
CO emission vol %	0,004 to 0,002
CO <sub>2</sub> emission vol %	2,81 to 4
Noise level	< 85 dbA
Length	36 cm
Weight	940 g
Energy source	Propane gas
	<b>ANGLO-SAXON SYSTEM</b>
Pressure (PSI)	21 to 50
Power (btu/h)	116 013 to 204 728
Consumption (lbs/h)	5 to 9
Air intake	1030 cu.ft/h to 1846 cu.ft.h
CO emission vol %	0,004 to 0,002
CO <sub>2</sub> emission vol %	2,81 to 4
Noise level	< 85 dbA
Length	14 inches
Weight	2,11 lb
Energy source	Propane gas

BEFORE OPERATING THE APPLIANCE, YOU MUST READ ALL THE WARNINGS MENTIONED ABOVE AND MAKE SURE THAT USING THE APPLIANCE IS NOT FORBIDDEN BY THE MANUFACTURER OF THE MATERIALS THAT YOU ARE GOING TO HANDLE.  
WITH THIS APPLIANCE YOU MUST USE THE ORIGINAL HOSE AND SECURIPACK THAT WERE SUPPLIED.

<b>FORBIDDEN WITH ALL USES</b>	
	
<b>LIQUID PROPANE GAS</b> (e.g Fuel forklift truck)	<b>BOTTLE ON ITS SIDE</b>

The Ripack 2500 works with PROPANE gas in gas phase, contained in bottles of different capacities.

Use the largest possible bottles available.

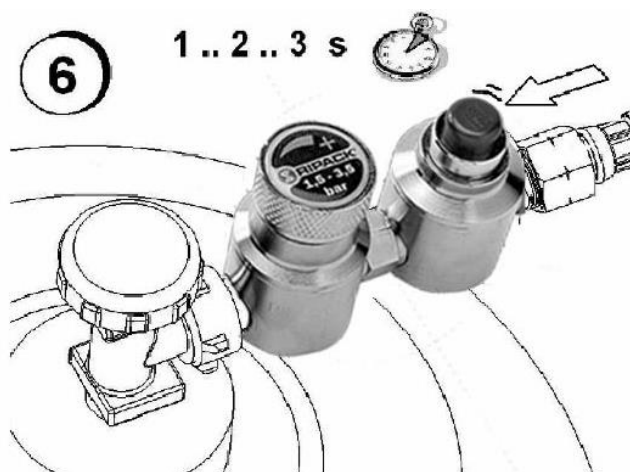
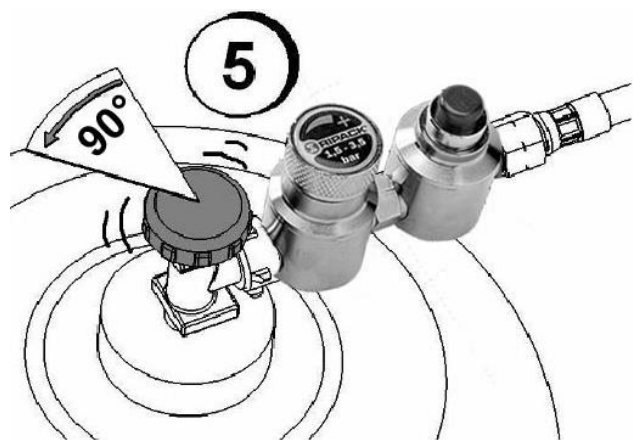
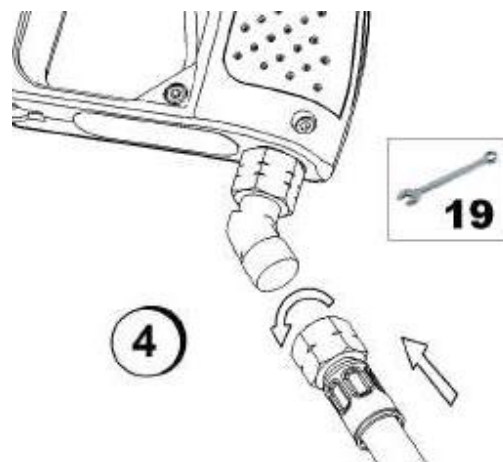
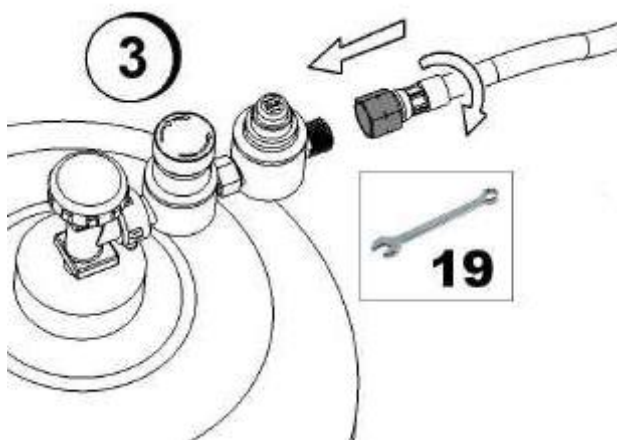
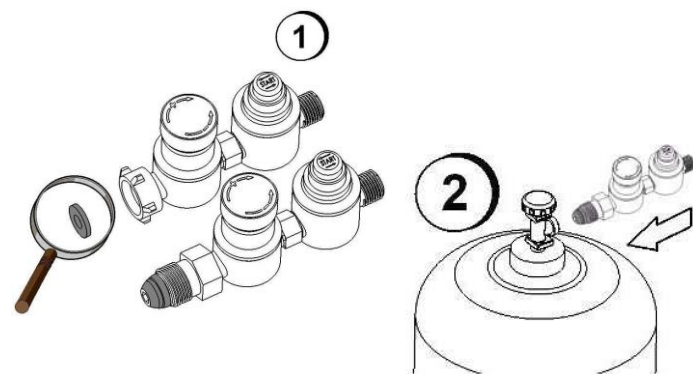


Always connect and disconnect the bottles a long way from any flames and ignition points.

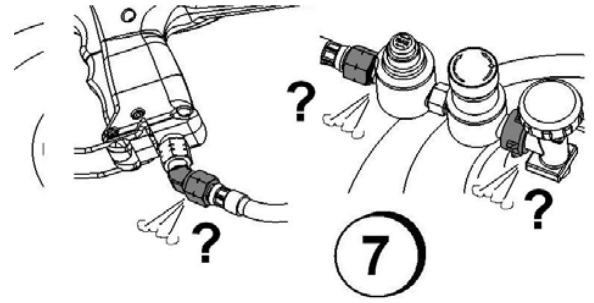
For all work inside professional workshops, the bottle must be placed on a mobile trolley that can be maneuvered easily.

Before the first connection, the hoses must be cleaned by blowing. Air or nitrogen should be used for blowing. If nitrogen is used, it must be vented safely to the outside.

Before connecting the SECURIPACK to the gas bottle, make sure the sealing gasket is positioned correctly for systems using this type of joint. In other cases, make sure the fitting is clean.



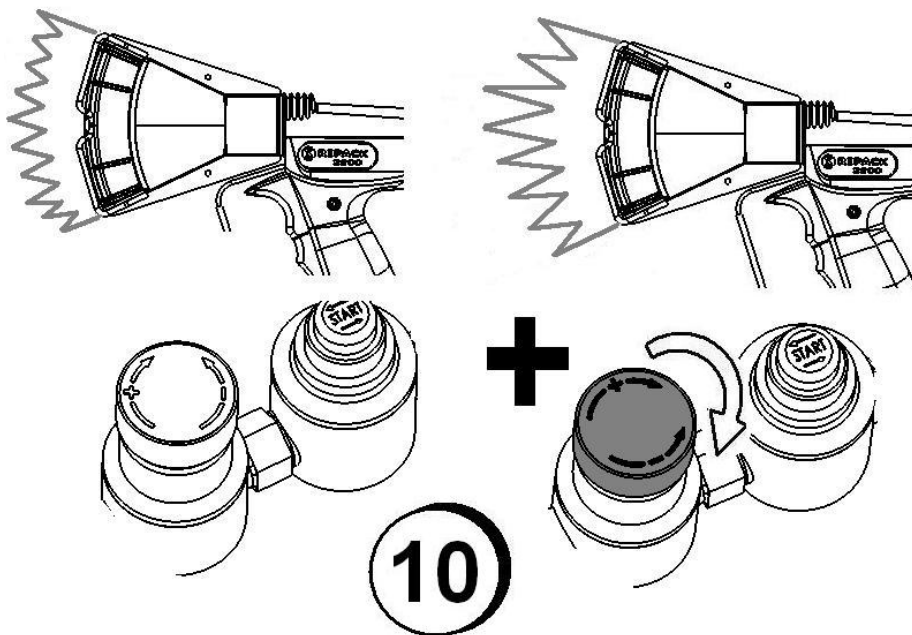
Use a bubble spray or some soapy water to check that there are no leaks in the parts that have been screwed together (bottle, hose and gun connections).



## IGNITING THE RIPACK 2500

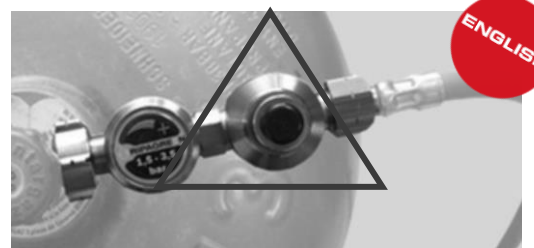


## POWER KNOB



## NEVER WORK WHILE HOLDING THE RED BUTTON.

The SECURIPACK automatically cuts off the supply of gas if the pressure drops below the minimum level necessary for the normal efficiency of the work.



This is the case when:

- The bottle is nearly empty (the gun can only be used for a few more minutes at reduced power: change the bottle);
- The temperature of the bottle has dropped after intensive use (icing): if this is the case, change the bottle temporarily or wait until the normal pressure returns, especially if you are working outside (0°C / 30°F and colder).

## NEVER HEAT A GAS BOTTLE WITH A FLAME.

WHEN YOU HAVE FINISHED WORKING, ALWAYS CLOSE THE GAS BOTTLE VALVE AND EMPTY THE HOSE BY PRESSING THE TRIGGER.

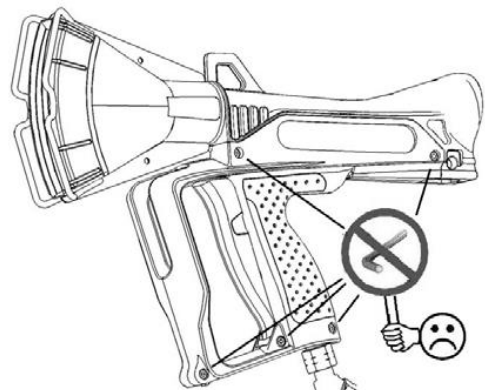


Once you have finished using your shrink gun, be sure to drain the remaining gas from the extension. To do this, turn off the gas supply and the regulator and pull the trigger slightly to purge the gas in the tube.

## SPARE PARTS

THE COMPANY RIPACK SHALL NOT BE HELD LIABLE IN THE EVENT THAT THE GUN IS DISMANTLED.

Contact your dealer if the RIPACK 2500 needs to be dismantled.  
Only the procedures described in the maintenance chapter are authorized.



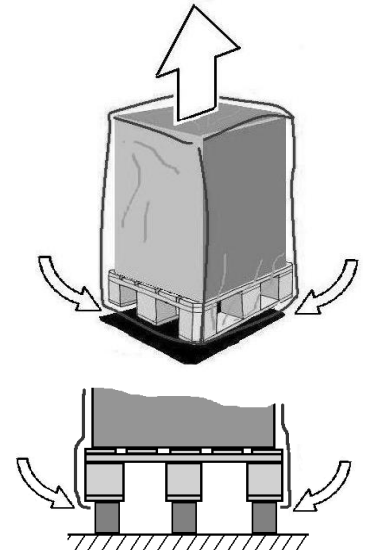


## SHRINK-WRAPPING A LOADED PALLET

Ask your film supplier for the operating instructions.

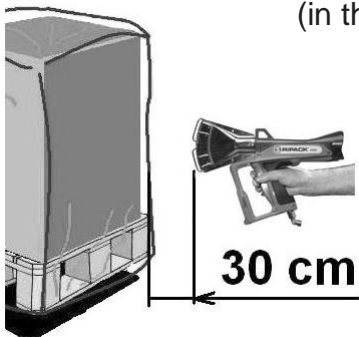
The pallet must be lifted so that the four corners are accessible: the purpose of this is to allow the film to be shrunk under the pallet and so ensure very strong cohesion between the pallet and the load it supports. You will find an accessory in the RIPACK product range that is designed specially to keep pallets lifted from the ground: the CALPACK (contact your dealer).

Slide the shrink cover, which must be about 5% wider than your pallet and sufficiently long to be able to be shrunk under the pallet (H plus 200 mm). Ignite your RIPACK 2500 as explained in the chapter «Operation».



## SHRINK-WRAPPING RECOMMENDATIONS

(in the absence of instructions provided by the film manufacturer)



Remain at a distance of at least about 30 centimeters from the film and start shrink-wrapping the lower part of the four sides so the pallet is shrink-wrapped underneath. Make sure you point the air flow perpendicularly along the sides of the pallet.

Apply the heat in a continuous movement and at a constant speed.

### NEVER STAY ON THE SAME SPOT

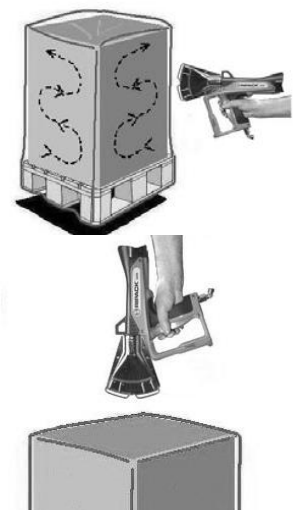
The various films react differently, so you must observe the reaction and adapt your speed and movement and/or the distance between the nozzle and the film accordingly.

You can also adjust the power of the RIPACK 2500 with the adjustable SECURIPACK controls.

Once the lower part of the pallet has been shrink-wrapped, continue the operation for each side and move from top to bottom to cover the entire height.

Once the 4 sides have been shrink-wrapped, you can do the top by applying the hot air to the top of the pallet.

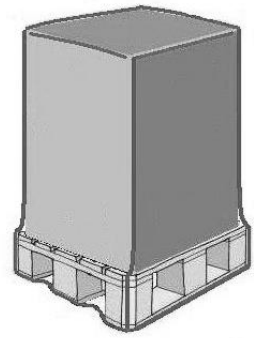
**CAUTION:** The film is already stretched along the sides so you should apply less heat on the top in order to prevent the cover from being damaged.



When you have stopped applying heat with the gun, the plastic film, because of its make-up, will continue to shrink for some time. This time will vary depending on the quality, the thickness and the type of load that has been wrapped. It is recommended therefore that you wait until the cover has cooled off and everything is tight before moving the pallet.

After cooling and before storage, always check that the cover and the wrapped goods are in good condition.

**CHECK CAREFULLY FOR AT LEAST 2 HOURS  
AFTER SHRINK-WRAPPING.**

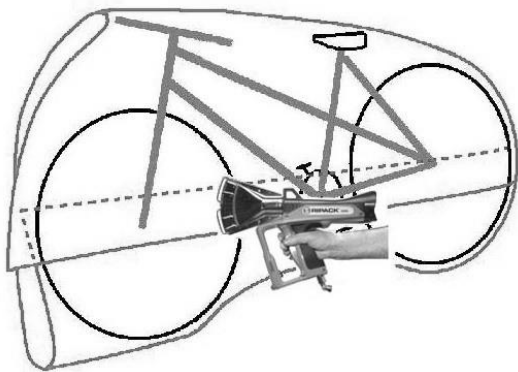
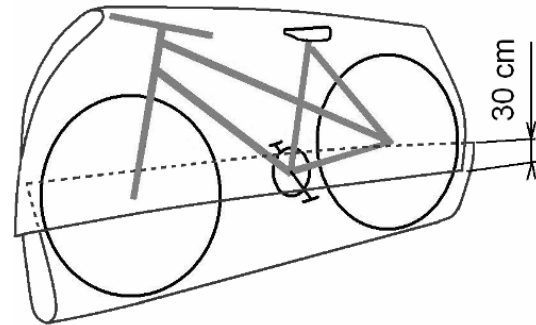


ENGLISH

## PACKAGING

All kinds of objects with irregular shapes can also be packaged using shrink-wrap film.

To obtain a good film joint, you need to provide a minimum overlap of 30 cm.

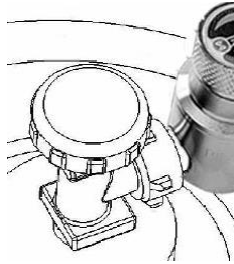


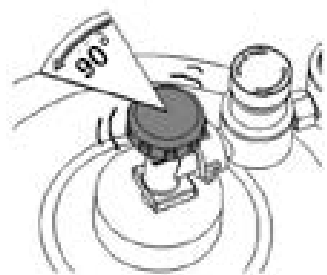


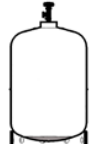


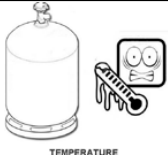


Start by heating the film in a continuous movement and then put pressure on this part to connect the two parts together.

Once the joint has been made, continue the shrink-wrapping by holding the appliance at least 30 cm from the film. When doing this, be sure to follow the recommendations for shrink-wrapping.

## MALFUNCTION DIAGNOSIS

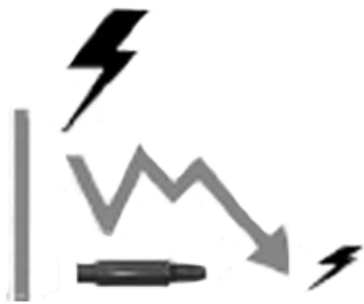
### NO GAS COMING OUT OF YOUR RIPACK 2500

<p>CYLINDER VALVE CLOSED</p>		<p>OPEN THE FAUCET BY 90°</p> 
<p>Too high flow rate (The internal safety of the gas cylinder can shut off the flow if the valve is opened too much).</p> 	<p>Close the valve</p>	<p>OPEN THE FAUCET BY 90°</p> 
<p>REGULATOR IMPOSSIBLE TO PRIME</p> <p>1..2..3 s </p>  <p><b>Note:</b> the red button cuts off the gas supply below a pressure that is too low for the operation of the Ripack 2500.</p>	 <p>Change the bottle</p>	
 <p>The regulator Only works With propane gas</p>	 <p>BOUTEILLE GIVREE</p> <p>Continuous use causes the Bottle to frost Provide a replacement cylinder While the gas warms up.</p>	
 <p>TEMPERATURE BOUTEILLE</p> <p>The outside temperature Is low Store the bottles in a Temperate room.</p>		

Note: the pressure of the gas in a cylinder is proportional to the temperature of the gas.

# MALFUNCTION DIAGNOSIS : DIFFICULTIES IN IGNITION OF YOUR RIPACK 2100

PIEZO USED



THE PIEZO LOSES ITS  
ELECTRICAL PROPERTIES  
WITH EACH SOLICITATION.

SPARE PIEZO REFERENCE:  
131003

1



2

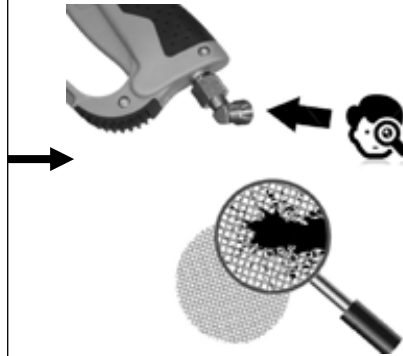


3



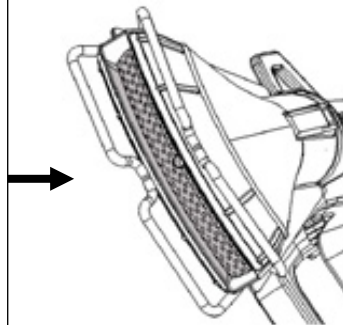
# MALFUNCTION DIAGNOSIS : DIFFICULTIES IN IGNITION OF YOUR BURNER

THE GAS FLOW RATE IS  
ABNORMALLY REDUCED  
(short and weak flame)  
The ignition is not easy to do.



The swivel is equipped with a  
grid filter .  
This can be blocked by the  
pollution of a gas cylinder:  
Remove the filter with a  
pointed needle.  
Reassemble after cleaning.

POLLUTED COMBUSTION  
NOZZLE

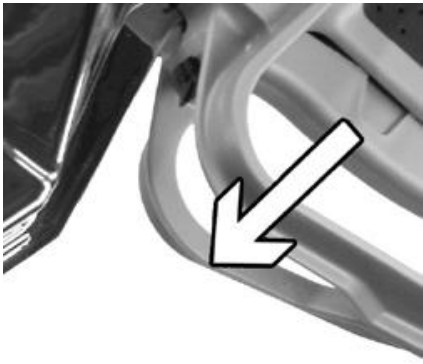


Clean the grid.  
Thoroughly clean the spark plug  
housing which mainly generates  
the ignition of the flame.  
We recommend the use of a  
compressed air blower.

# MALFUNCTION DIAGNOSIS

## NO GAS CUT-OFF AFTER RELEASING THE TRIGGER

ENGLISH



When the trigger is released, the combustion nozzle should shut off instantly.

Otherwise : Open the trigger.

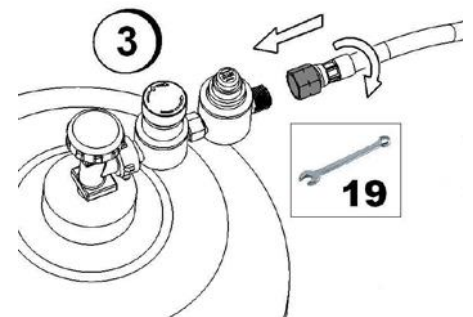
Lubricate the piston of the dust-contaminated valve.  
In case of repeated blockage, have the valve changed by your authorized Ripack dealer .



## CHECKING THE SECURIPACK

The correct functioning of the safety mechanism must be checked for hose rupture (incorporated in the SECURIPACK) at least every 500 hours or every three months. This is to be performed as follows:

- Go outside, a long way from any flame source, sparks and any objects that ignite
- Apply pressure to the appliance. With the wrench supplied, loosen the connecting nut of the hose and unscrew completely: the gas supply will now be cut off automatically.



## **DAILY before starting to work:**

1. Check the condition of the hose along its whole length and at the fittings.

We recommend that you replace the hose in the following cases:

- When a visual inspection has revealed damage (cuts), even if the damage is superficial.
- Every 3 years if used intensively.
- At the latest 5 years after first use
- **Note: The date on the hose is the manufacture date.**

**Only use a replacement hose supplied by RIPACK with its original fittings!**

2. Verify that the gas supply is shut off by releasing the trigger.

See : NO GAS LOSS on previous page.

**FIND OUR TUTORIALS ON THE WEBSITE**  
**<https://ripack.com/en/tutorials/ripack-2500/>**



The products delivered by RIPACK® (SEFMAT Group) are covered by a contractual warranty for a period of two (2) years from the date of delivery, covering any latent defect resulting from a defect in material, design or manufacture affecting the Ripack 2500 gun and rendering it unfit for use.

This contractual guarantee applies only to the first user of the Ripack 2500 gun after registration of the product on the RIPACK® website at the following address <https://ripack.com/en/register-a-product/>. For the application of this warranty, the Ripack 2500 gun must be registered within three (3) months following the purchase of the product.

The purpose of this warranty is to ensure the proper functioning of the Ripack gun 2500 having suffered an internal breakdown. In order to assert its rights, the user of the Ripack 2500 pistol must, under penalty of forfeiture of any action, take the following measures related thereto, inform RIPACK in writing at [info@sefmat.com](mailto:info@sefmat.com), the existence of defects within a maximum of seven (7) days from the date of their discovery. This warranty covers the cost of repairing the Ripack 2500 (parts, labor and return postage, the outward postage stays at the customer) or its replacement (in the case of the impossibility of replacing it). It does not entitle you to any compensation in kind or in cash.

The replacement of defective Products or parts will not extend the duration of the above-mentioned warranty.

The warranty forms an inseparable whole with the Ripack 2500 gun sold by SEFMAT or its authorized reseller. The Ripack 2500 gun may not be sold or resold altered, transformed or modified. Validation by our approved partners or by our manufacturing site will only be possible if all the parts that make up your heat shrink gun (shrink gun, swivel, hose and regulator) are returned to us. Without the complete return, we will not be able to validate the warranty.

Our two (2) year contractual warranty does not apply in cases of force majeure and does not cover :

- Deterioration, normal wear and tear of the product and in particular the following wearing parts: piezo igniter #131003, spark plug #132054, gas hose #250072.
- Accessories added after the purchase of the product (if applicable, a specific warranty related to the accessory concerned will apply)
- Defects due to damage, an accident or a fortuitous event or an accident resulting for example from a shock or a fall.
- Abnormal use, misuse or use under conditions different from those for which the product was manufactured, in particular in the event of failure to comply with the conditions prescribed in the RIPACK® instructions for use.
- Transformations of the product and in particular the modifications made or the addition of parts not coming from the manufacturer.
- Failure to regularly maintain the product as described on page 21 of the RIPACK user manual, negligence or failure to monitor the product on the part of the purchasing customer.
- Pre-existing repair of the product not provided by RIPACK® or an authorized RIPACK reseller.
- Products no longer bearing the label or identification number or products with a changed identification number.



# RIPACK® 2500



**CHECK YOUR PRESSURE  
REGULATOR NUMBER**



**UL**



**134046**

Art. Code	Description
131003	Piezo igniter (for heat gun without extension wand)
133132	Wrench 19
133415	Allen key 3
133531	Half-handle - right
133532	Half-handle - left
133533	Trigger
135294	Spacer for handle
140010	Flat Seal for Regulator
144053	User's Guide RIPACK 2500
148043	Swivel connector
152052	Screw CHc M 4 x 16
152153	Screw CHc M4x35
231173	Bumpers set
231225	Complete set combustion nozzle (spark plug + contact + spacers)
231231	Aluminum tube and jet / Ripack 2500
233419	Pawl & Spring - Trigger lock
248113	Gas tap
250072	Rubber Hose, 7,5 m with connections 3/8L (int Ø 6) UL



**DÉCLARATION DE CONFORMITÉ**  
**DECLARATION OF CONFORMITY**

Le fabricant soussigné :  
The manufacturer undersigned :

SEFMAT S.A.S, 7 RUE DE BETNOMS, 33185 LE HAILLAN, FRANCE

Déclare que l'appareil :  
Hereby declares that the appliance :

**RIPACK 2500**

déstiné à la production d'une flamme produite par la combustion de GPL  
designed to produce a flame produced by the combustion of LGP

A partir du numéro de série : 20 007 088  
From Serial Number : 20 007 088

Est en conformité avec L'homologation CSA 70073010  
Is in conformity with SA certification 70073010  
Est en conformité avec L'homologation UL MH 25115  
Is in conformity with UL certification MH 25115

Fait au Haillan, le 15 novembre 2020  
Le Haillan, November 15th, 2020

Le Président  
President



United States Patent  
US 9, 482, 430 B2  
US 8, 678, 816 B2  
US 8, 529, 248 B2



**CERTIFICATIONS INTERNATIONALES**  
**WORLD CERTIFICATIONS**









GROUPE SEFMAT

# RIPACK®

## NOTICE UTILISATEUR

### RIPACK 2500



**LA PROTECTION**  
**PAR EXCELLENCE**

ENREGISTREZ VOTRE PRODUIT  
CONTRAT DE GARANTIE EN LIGNE  
[RIPACK.COM/ENREGISTRER-UN-PRODUIT](http://RIPACK.COM/ENREGISTRER-UN-PRODUIT)



## CHARIOTS PORTE-BOUTEILLE

Le chariot porte bouteille Ripack est l'accessoire indispensable pour déplacer facilement vos bouteilles de gaz en toute sécurité et assurer la longévité de votre équipement.

Leur design permet un grand maintien et le mat vous assiste dans le maniement et la protection du tuyau. Les nouveaux chariots ont été pensés pour être un véritable poste de travail. C'est pourquoi ils sont équipés d'un sac de rangement, permettant de transporter vos outils facilement. Les chariots 936+ et 932 sont également équipés d'une tablette, ainsi que d'un dispositif aimanté.



## ENROULEUR DE TUYAU

Avec son système automatique de retour du tuyau, ne laissez plus trainer votre pistolet de rétraction Ripack.

Un cliquet bloque votre tuyau à la distance souhaitée afin de garantir une rétraction aisée. Une simple tension sur le tuyau enclenche l'enroulement.

L'enrouleur est une alternative au chariot porte bouteille Ripack et facilite également les déplacements autour des marchandises à emballer.

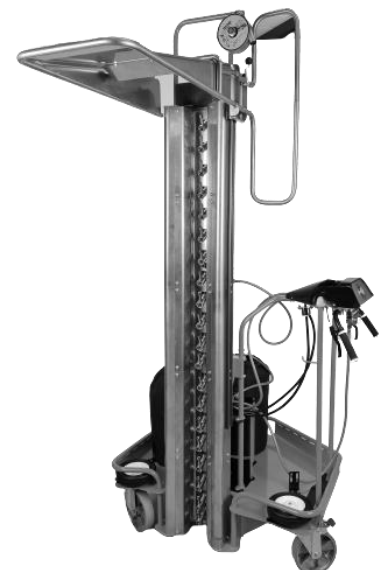


## COLONNE DE RÉTRACTION TURBOPACK

Le Turbopack est une colonne de chauffe mobile, embarquée sur un chariot facilement déplaçable.

Sa conception unique permet une poussée du flux d'air chaud pour une efficacité inégalée, même sur des films épais. 50 secondes suffisent pour rétracter une palette (type Euro) quelque soit la hauteur (limite max. 3.2 m).

L'adaptation à votre charge est très simple, une série de robinets de barrage vous permet de consommer la juste quantité de gaz et la visière (optionnel) se règle d'un simple geste avec l'assistance d'un équilibreur. Pas besoin de programmation complexe, de manipulation fastidieuse ou de formation longue et coûteuse.





## SOUDEUSES DE FILM

Les MULTICOVER permettent de confectionner selon les besoins des housses de palettes ou sacs de différentes dimensions à partir du film thermo rétractable en bobine. Réalisez des économies en évitant un stock superflu de formats variés.



### MULTICOVER 955 SOUDEUSE

Soudure avec un pistolet Ripack

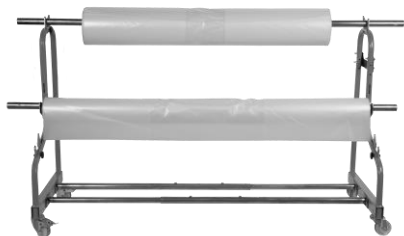


### MULTICOVER 960

Soudure par impulsion électrique



2ème bobine en option



### MULTICOVER 935 DEVIDOIR

## SURÉLÉVATEUR CALPACK

Facile et rapide à mettre en place, le Calpack permet la rétraction de la housse sous la palette. La charge est ainsi en parfaite cohésion avec son support. Il s'utilise aussi bien avec un transpalette qu'avec un chariot élévateur.



# CONTENU DU SAC DE TRANSPORT

FRANCAIS



Détendeur  
Securipack

Clé

Raccord  
tournant

Tuyau 7,5m

Notice



GROUPE SEFMAT

**RIPACK®**

FRANCAIS

## **Ripack 2500**

**APPAREIL À MAIN FONCTIONNANT AU GAZ  
PROPANE DESTINÉ À LA RÉTRACTION DES FILMS  
PLASTIQUES**

### **NOTICE D'UTILISATION**



<b>AVERTISSEMENTS</b>	<b>37</b>
<b>MISE EN SERVICE</b>	<b>42</b>
<b>RACCORDEMENTS</b>	<b>43</b>
<b>PIÈCES DE RECHANGE</b>	<b>45</b>
<b>EXEMPLES D'UTILISATION</b>	<b>46</b>
<b>MAINTENANCE</b>	<b>48</b>
<b>GARANTIE</b>	<b>53</b>
<b>ÉCLATÉ</b>	<b>54</b>
<b>LISTE DES PIÈCES</b>	<b>56</b>
<b>DÉCLARATION DE CONFORMITÉ</b>	<b>57</b>



À LIRE IMPÉRATIVEMENT AVANT TOUTE PREMIÈRE MISE EN SERVICE

	<p>Ne pas utiliser cet appareil dans les zones réglementées présentant des risques spécifiques d'incendie ou d'explosion.</p>
	<p>Ne pas utiliser l'appareil pour rétracter le film plastique sur un sol en matériau combustible (bois, plastique, etc...).</p>
	<p>Délimiter une zone de travail telle que le nez du pistolet soit toujours au minimum à plus d'1,5 m à l'intérieur de cette zone et interdire l'accès de cette zone à toute autre personne.</p>
	<p>S'assurer de l'absence de fuite sur les raccords et inspecter le tuyau pour les fissures ou les connexions desserrées.</p>
	<p>Avoir à portée de main un extincteur dimensionné et approprié.</p>
	<p>Proscrire le port de vêtements facilement inflammables de type nylon ou similaire.</p>
	<p>Porter des gants résistants à la chaleur durant l'utilisation.</p>
	<p>Maintenir une surveillance rigoureuse pendant 2 heures au moins après la rétraction.</p>
	<p>Vérifier la bonne adaptation du détendeur avec la bouteille de gaz.</p>

Cet appareil est destiné à la rétraction des films plastiques dans le cadre d'une utilisation professionnelle exclusive.



Il est impératif que les utilisateurs du pistolet Ripack 2500 prennent connaissance de cette notice d'utilisation dans sa totalité et soient formés aux applications nécessitant l'utilisation de cet appareil.

Cette notice d'utilisation devra être conservée pour être consultée dans l'avenir.

Ne pas utiliser l'appareil pour l'application de film plastique sur des matériaux, matières, produits et liquides pouvant s'enflammer spontanément, conditionnés en vrac ou emballés, et dans les zones de stockage de ces mêmes produits ou dans des locaux où il est expressément interdit de fumer pour des raisons de sécurité.

Ne pas utiliser l'appareil pour rétracter le film plastique sur un sol en matériau combustible (bois, plastique, etc...).

Coupez l'arrivée gaz si vous vous déplacez hors de vue de votre Ripack 2500 ou de votre alimentation. Appuyez sur la gâchette pour vider le tuyau d'alimentation de gaz afin que celui-ci ne reste pas en pression.

Veillez à tenir l'aire d'utilisation propre et exempte de tous débris (bois, papier, autres matières inflammables).

Pour tous travaux à l'intérieur de locaux professionnels, la bouteille doit être placée sur un chariot et facilement manœuvrable.

**Cet appareil, comme tous les appareils à gaz, consomme de l'air et produit des gaz de combustion comportant à la fois du CO<sub>2</sub> et du CO. L'exposition à ce dernier gaz est mortelle en cas de concentration élevée. Veillez à prévoir une ventilation adéquate en fonction du temps d'utilisation de l'appareil (cf. partie «Caractéristiques Techniques» - Tableau A).**

**Nous recommandons pour une utilisation intermittente de 15 minutes par heure à sa puissance maximale un local à pollution non spécifique d'un volume de 16m<sup>3</sup> minimum avec un renouvellement d'air de 48 m<sup>3</sup>/h.**

Ne jamais travailler en sous-sol.

Avant toute utilisation, respectez les directives pour l'utilisation de gaz liquides.

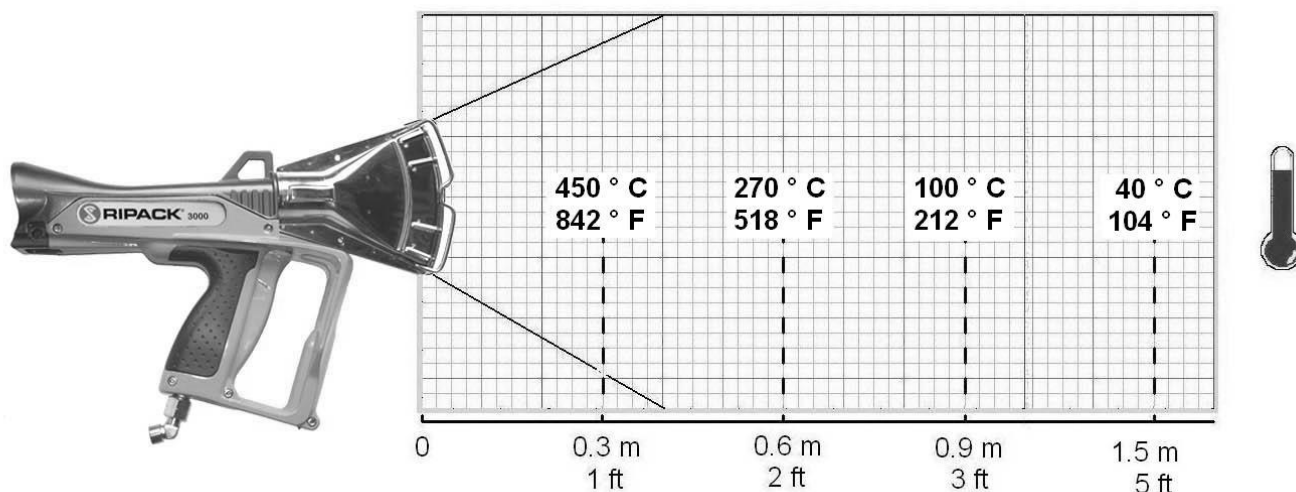


En fonctionnement, cet appareil produit une flamme. Ne pas diriger celle-ci vers soi-même, d'autres personnes ou êtres vivants, sur la bouteille de gaz et le tuyau, ou sur des matériaux combustibles.



Veillez-vous référer aux **réglementations applicables dans le pays d'utilisation** concernant la conformité et l'emploi des produits et accessoires proposés dans notre gamme Ripack®. L'utilisation des accessoires, connections et pièces détachées Ripack® sont indispensable au bon fonctionnement et garantie de nos produits ainsi à la sécurité des biens et personnes.

L'appareil en fonctionnement présente en avant de la buse de combustion une **zone dangereuse jusqu'à une distance de 0,9 mètres (3')**.



L'attention des opérateurs est attirée sur le fait que dans cette zone dangereuse, des risques de brûlures sont possibles pour les êtres vivants et de détérioration et/ou d'inflammation pour les biens.

En utilisation, le pistolet doit toujours être en mouvement de telle sorte que le matériau mis en œuvre ne dépasse pas la température maximum prévue par son fournisseur.

Cette température dépend de la distance d'utilisation, de la durée d'exposition et du réglage de la puissance de l'appareil.

Cet appareil, destiné à la mise en œuvre des films plastiques par échauffement, peut être utilisé aussi pour d'autres applications dont les produits supportent un apport de chaleur par flamme apparente, sous la responsabilité exclusive de l'utilisateur. Dans tous les cas, il est obligatoire de se référer aux prescriptions du fabricant du produit traité et aux législations nationales, fédérales, ou locales sur l'utilisation des appareils à flamme apparente.

Pour une utilisation sûre de l'appareil, il est obligatoire de se conformer aux avertissements ci-dessus ainsi qu'aux directives fournies par le fabricant des matériaux traités. Les distances d'utilisation, la durée d'exposition et le réglage de l'appareil, par rapport aux différents matériaux traités, dépendent des instructions du fabricant des dits matériaux.

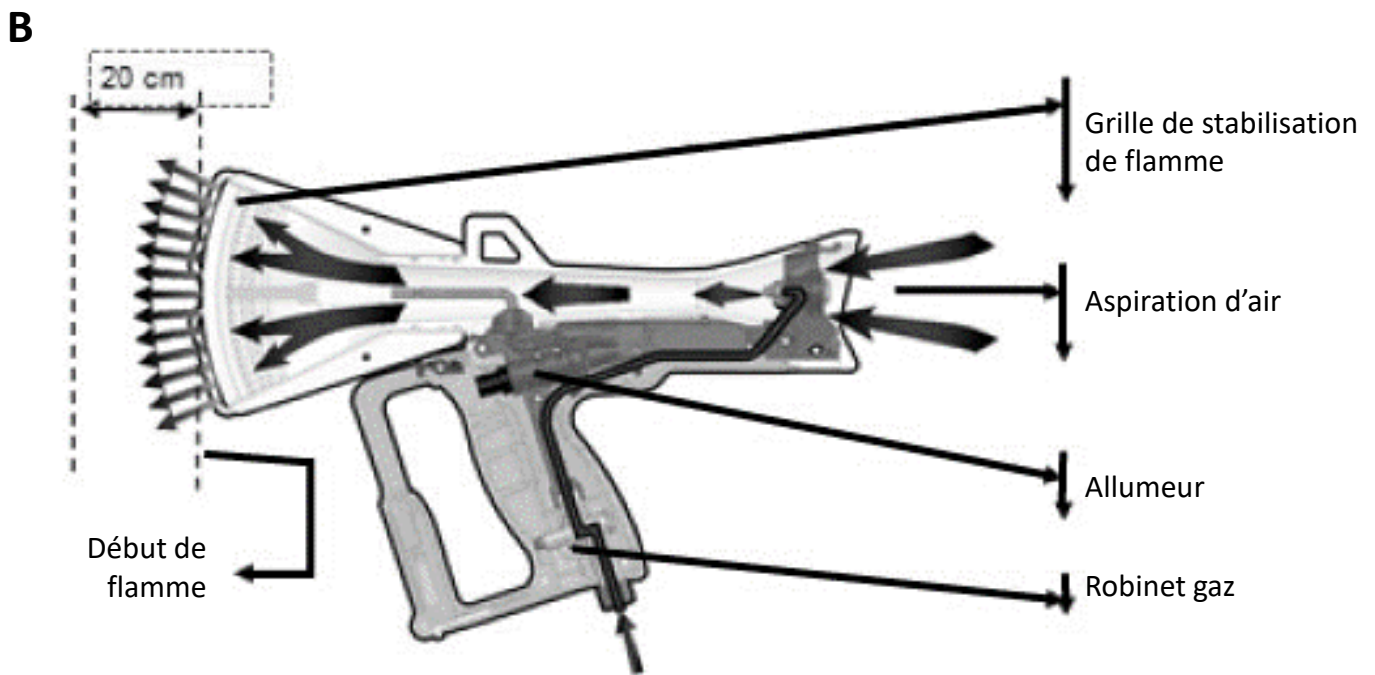
Toujours consulter votre distributeur Ripack pour toute opération de maintenance ou de changement de pièces.

Le RIPACK 2500 propane fonctionne au propane sur le principe des brûleurs à air atmosphérique induit à grande vitesse (dessin B).

L'allumage se fait par un allumeur piézo-électrique, dont l'action est simultanée avec l'ouverture du gaz, commandée par la gâchette, organe de commande unique.

Le RIPACK 2500 est un pistolet sûr, qui comporte plusieurs dispositifs de sécurité :

- Sa conception originale et brevetée assure une combustion sans échauffement de sa buse de combustion (**buse froide**).
- Un système de **valve de sécurité** coupe l'arrivée du gaz en cas de rupture ou d'arrachement du tuyau.
- Un dispositif à action maintenue (dit « homme mort »), coupe l'arrivée du gaz automatiquement en cas de relâchement de la gâchette. Ceci permet un **arrêt immédiat de la chauffe**. Ce dispositif à action maintenue ne doit en aucun cas être bloqué en position ouverte par un moyen quelconque.
- Une **garde devant la gâchette** évite toute mise en route intempestive.







# APPAREIL À MAIN FONCTIONNANT AU GAZ PROPANE

## CARACTÉRISTIQUES TECHNIQUES :

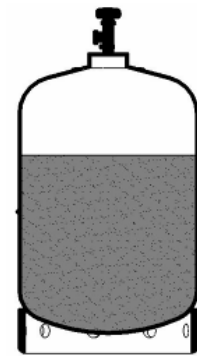
	<b>SYSTÈME SI</b>
Pression (bar)	1,5 à 3,5
Puissance (kW)	34 à 60
Consommation (kg/h)	2,2 à 4
Air aspiré (m <sup>3</sup> /h)	30 à 54
Emission CO vol %	0,004 à 0,002
Emission CO <sub>2</sub> vol %	2,81 à 4
Niveau sonore	< 85 dbA
Longueur	36 cm
Poids	940 g
Source d'énergie	Propane
	<b>SYSTÈME ANGLO SAXON</b>
Pression (PSI)	21 à 50
Puissance (btu/h)	116 013 à 204 728
Consommation (lbs/h)	5 à 9
Air aspiré	1030 cu.ft/h à 1846 cu.ft.h
Emission CO vol %	0,004 à 0,002
Emission CO <sub>2</sub> vol %	2,81 à 4
Niveau sonore	< 85 dbA
Longueur	14 inches
Poids	2,11 lb
Source d'énergie	Propane

AVANT LA MISE EN SERVICE, IL EST NÉCESSAIRE D'AVOIR LU ET DE RESPECTER LES INFORMATIONS CONTENUES DANS LE CHAPITRE «AVERTISSEMENTS». IL EST OBLIGATOIRE D'UTILISER AVEC CET APPAREIL LE TUYAU ET LE DÉTENDEUR SECURIPACK LIVRÉS D'ORIGINE.

INTERDIT AVEC RIPACK 2500	
	
<b>GAZ PROPANE PHASE LIQUIDE</b> (Ex: Carburant chariot élévateur)	<b>BOUTEILLE COUCHÉE</b>

Le RIPACK 2500 fonctionne avec du gaz **PROPANE** en phase gazeuse contenu dans des bouteilles de différentes capacités.

Utiliser des bouteilles de la plus grande capacité possible.

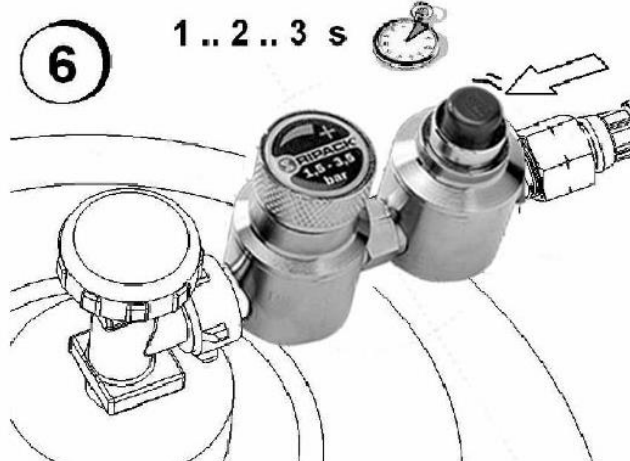
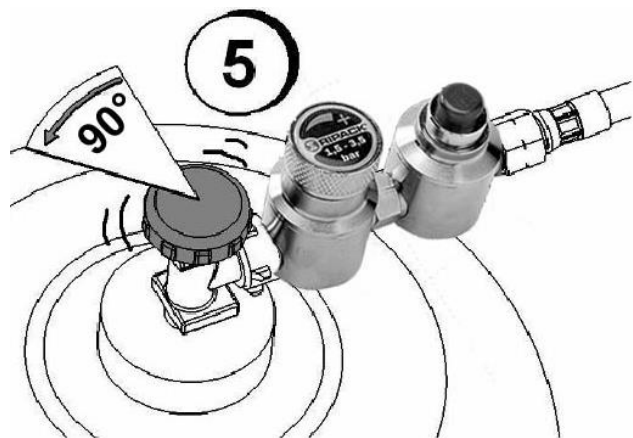
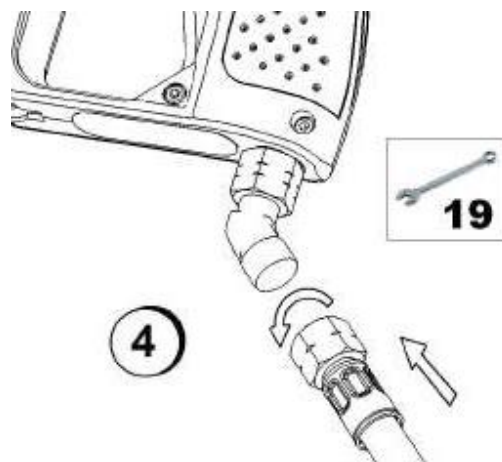
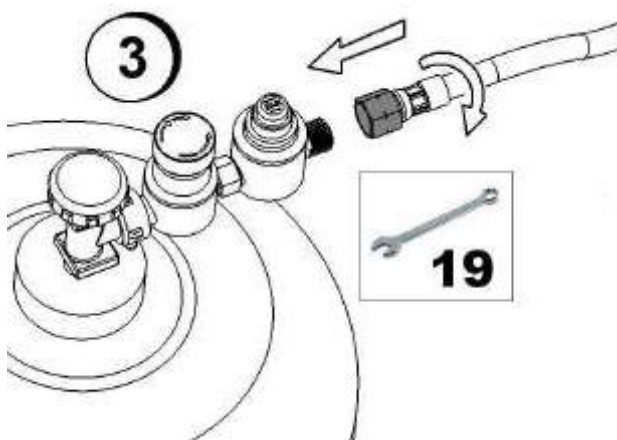
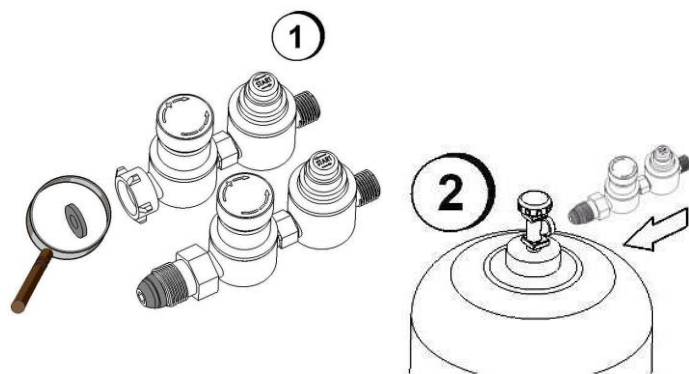


Toujours brancher et débrancher les bouteilles loin de toute flamme et de tout point en ignition.

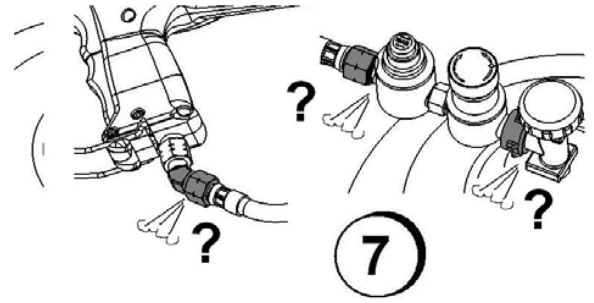
Pour tous **travaux à l'intérieur** de locaux professionnels, la bouteille doit être placée sur un chariot mobile indépendant et facilement manœuvrable.

Avant le premier raccordement, les tuyaux doivent être nettoyés par soufflage. Pour le soufflage, il convient d'utiliser de l'air ou de l'azote. Si de l'azote est utilisé, il doit être évacué sans risque vers l'extérieur.

Avant de raccorder le détendeur SECURIPACK à la bouteille de gaz, s'assurer que le joint d'étanchéité est bien en place pour les systèmes utilisant ce principe. Dans les autres cas, s'assurer que la portée du raccordement est propre.



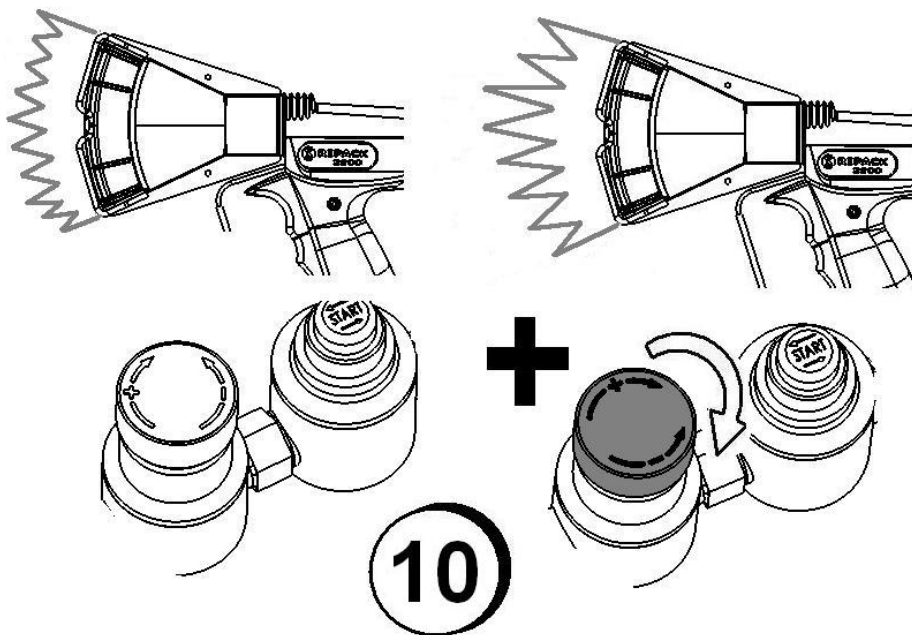
S'assurer au moyen d'une bombe à bulles ou d'eau savonneuse de l'absence de toutes fuites sur les parties vissées (raccords bouteille, tuyau et pistolet).



## ALLUMAGE RIPACK 2500

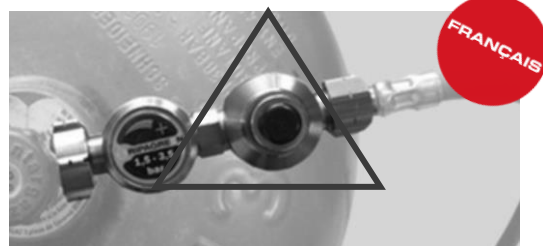


## RÉGLAGE PUISSANCE



## NE JAMAIS TRAVAILLER EN MAINTENANT LE BOUTON ROUGE,

Le détendeur SECURIPACK coupe automatiquement l'arrivée de gaz lorsque la pression délivrée par celui-ci baisse en dessous du seuil minimal nécessaire à un rendement normal de travail.



Celui-ci indique :

- Soit que la bouteille est pratiquement vide (il ne reste que quelques minutes d'utilisation à puissance très réduite : changer la bouteille);
- Soit une baisse de la température de la bouteille après utilisation intensive (givrage). Dans ce cas, changer momentanément la bouteille ou attendre un retour de pression normale particulièrement en cas de travail en extérieur (0°C / 30°F et au-dessous).

## NE JAMAIS CHAUFFER UNE BOUTEILLE DE GAZ AVEC UNE FLAMME.

EN FIN DE TRAVAIL TOUJOURS FERMER LE ROBINET DE LA BOUTEILLE DE GAZ ET VIDER LE TUYAU D'ALIMENTATION EN PRESSANT LA POIGNEE.

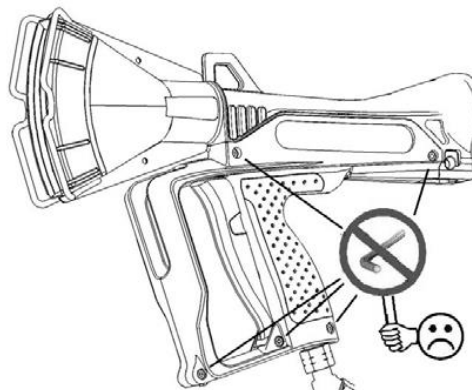


Une fois l'utilisation de votre pistolet de rétraction terminée, assurez-vous de bien vider le gaz restant dans l'extension. Pour cela, coupez l'arrivée de gaz et le détendeur et appuyez légèrement sur la gâchette, afin de purger le gaz qui se trouve dans le tube.

## PIÈCES DE RECHANGE

LA SOCIETE SEFMAT DECLINE TOUTE RESPONSABILITE EN CAS DE DEMONTAGE DU PISTOLET.

Sollicitez votre revendeur pour toute intervention nécessitant un démontage du RIPACK 2500.  
Les seules opérations autorisées sont décrites dans le chapitre maintenance.



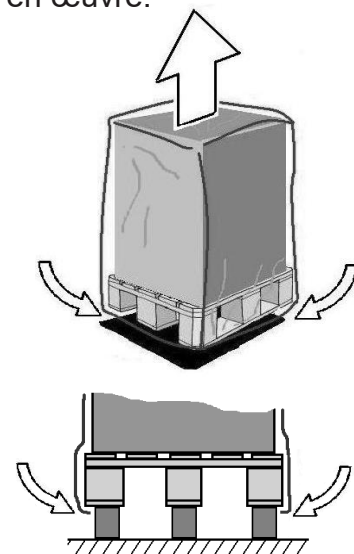
## MISE SOUS FILM DES CHARGES PALETTISÉES

Demandez à votre fournisseur de film les prescriptions pour la mise en œuvre.

La palette devra être surélevée de telle façon que les quatre coins de celle-ci soient libres : ceci a pour but de permettre au film de se rétracter sous la palette et de donner ainsi une très grande cohésion entre la palette et la charge qu'elle supporte. Vous trouverez dans la gamme RIPACK un accessoire destiné à maintenir les palettes réhaussées : le CALPACK (consultez votre revendeur).

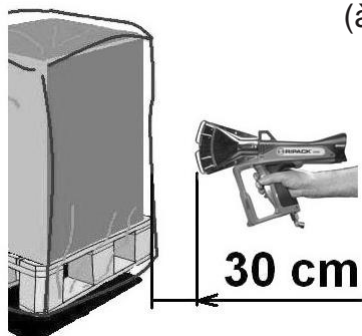
Enfilez la housse rétractable dont le périmètre doit être supérieur d'environ 5 % au périmètre de votre palette, et suffisamment longue pour pouvoir venir se rétracter sous la palette (H+200 mm).

Allumez votre RIPACK 2500 comme indiqué dans le chapitre «Mise en Service».



## RECOMMANDATIONS POUR LA RÉTRACTION

(à défaut de prescriptions particulières du fabricant de film)



Se tenir à une distance minimum d'environ 30 cm du film, et commencer la rétraction par la partie basse des quatre faces, afin que la rétraction se fasse d'abord en bas de la palette. Veiller à diriger le flux d'air chaud perpendiculairement aux côtés de la palette.

Appliquer la chauffe d'un mouvement continu, à une vitesse constante.

### NE JAMAIS RESTER EN POSITION FIXE

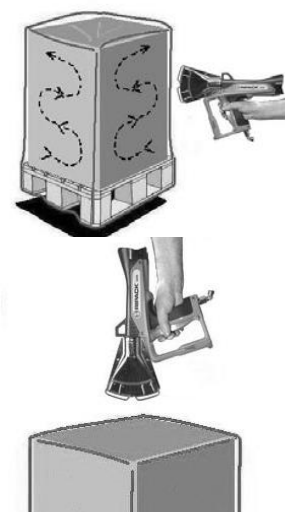
Les réactions des films n'étant pas similaires, observez celles-ci et modulez votre vitesse de passage et/ou votre distance au film en conséquence.

On pourra aussi moduler la puissance du RIPACK 2500 grâce à son SECURIPACK réglable.

Une fois le bas de la palette rétracté, poursuivre l'opération pour chaque face en procédant sur toute la largeur du côté, de bas en haut.

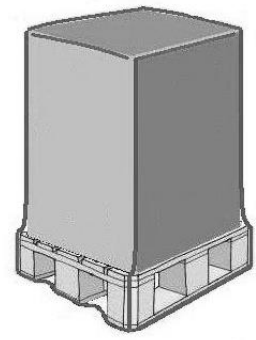
Une fois les 4 faces effectuées, rétracter le dessus en dirigeant le flux d'air chaud au-dessus de la palette.

**ATTENTION** : le film étant déjà tendu par la rétraction latérale, il est nécessaire d'appliquer moins de chaleur afin d'éviter toute détérioration de la housse.



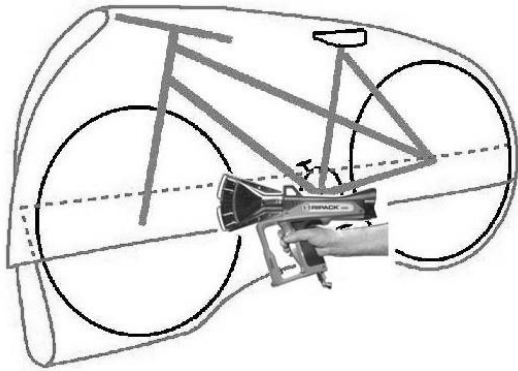
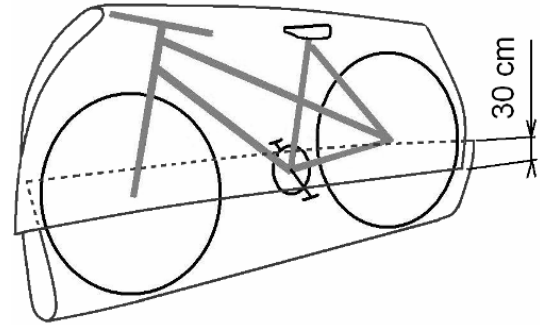
De par sa constitution, le film rétractable continue sa rétraction après la fin de l'application de chaleur, pendant un temps variable en fonction de sa qualité, de son épaisseur et du type de charge filmée. Il est donc recommandé d'attendre que la housse soit refroidie et tendue avant tout déplacement. Après refroidissement et avant stockage, toujours vérifier l'intégrité de la housse et des produits emballés.

**MAINTENIR UNE SURVEILLANCE RIGOUREUSE PENDANT 2 HEURES AU MOINS APRÈS LA RÉTRACTION.**



## FARDELAGE

Il est possible d'emballer également toutes sortes d'objets de formes variées à l'aide du film à plat. Pour obtenir une bonne soudure du film, prévoir un recouvrement d'un minimum de 30 cm.

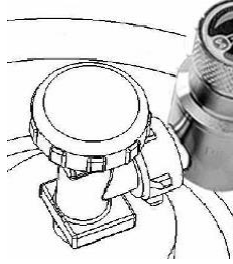


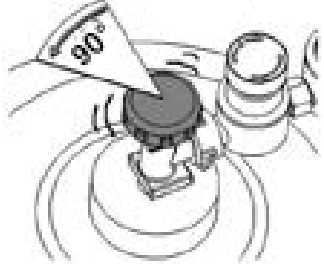


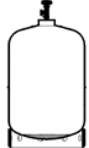
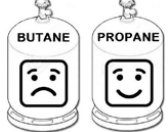

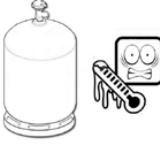


Commencer par souder le film par un balayage continu sur les parties en recouvrement, puis, effectuer une légère pression avec votre main protégée par un gant résistant à la chaleur (norme selon pays). La pression exercée lors de la chauffe permettra de souder les films ensemble.

Lorsque la soudure est effectuée, pratiquer la rétraction en maintenant l'appareil à une distance maximum de 30 cm et selon les recommandations pour la rétraction.

## DIAGNOSTIC DÉFAUTS DE FONCTIONNEMENT

### PAS DE GAZ EN SORTIE DE VOTRE RIPACK 2500

<p>ROBINET BOUTEILLE FERMÉ</p>		<p>Ouvrir le robinet à 90°.</p> 
<p>DÉBIT TROP IMPORTANT (La sécurité interne de la bouteille de gaz peut fermer le débit en cas d'ouverture trop importante du robinet).</p> 	<p>Fermer le robinet.</p>	<p>Ouvrir le robinet à 90°.</p> 
<p>DÉTENDEUR IMPOSSIBLE À AMORCER</p> <p>1..2..3 s </p>  <p><b>Nota</b> : le bouton rouge coupe l'alimentation du gaz au dessous d'une pression trop basse pour le fonctionnement du pistolet.</p>	 <p>Changer la bouteille</p>	
 <p>Le détendeur ne fonctionne qu'avec du gaz propane</p>		
 <p>BOUTEILLE GIVREE</p> <p>Une utilisation continue fait givrer la bouteille. (Prévoir une bouteille de remplacement le temps que le gaz reprenne sa température)</p>		
 <p>TEMPERATURE BOUTEILLE</p> <p>La température extérieure est basse Stocker les bouteilles dans un local tempéré.</p>		

Nota : la pression du gaz dans une bouteille est proportionnelle à la température du gaz.



PIEZO USÉ

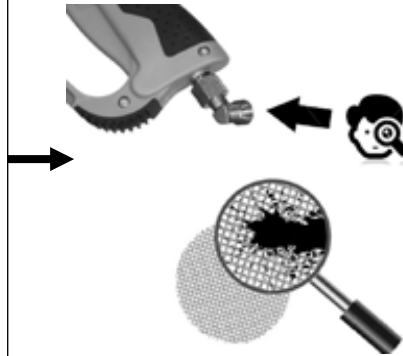


LE PIEZO PERD SES PROPRIÉTÉS ÉLECTRIQUES À CHAQUE SOLLICITATION.

RÉFÉRENCE PIEZO DE RECHANGE : 131003

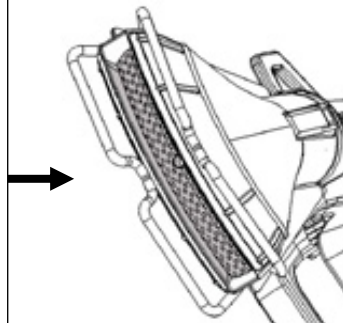


**LE DÉBIT DU GAZ EST ANORMALEMENT RÉDUIT**  
(flamme courte et faible)  
L'allumage se fait difficilement.

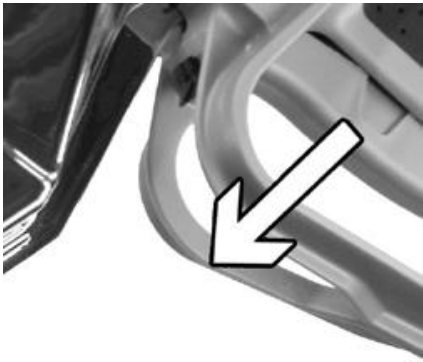


Le raccord tournant est équipé d'un filtre grille. Celui-ci peut être obstrué par la pollution d'une bouteille de gaz : Retirer le filtre à l'aide d'une aiguille pointue. Remonter après nettoyage.

**BUSE DE COMBUSTION POLLUÉE**



Nettoyer la grille.  
Bien nettoyer le logement de la bougie qui génère principalement l'allumage de la flamme.  
Nous préconisons l'utilisation d'une soufflette air comprimé.



En relâchant la gâchette, la buse de combustion doit s'éteindre instantanément. Sinon :

Ouvrir la gâchette

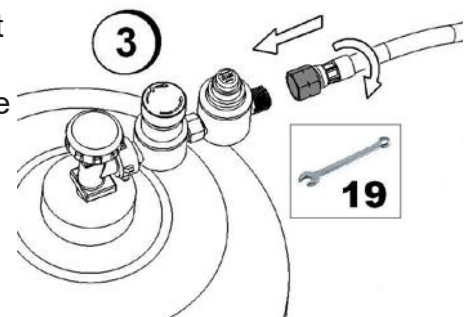
Graisser le piston du robinet pollué par de la poussière. En cas de blocage répétitif, faites changer le robinet par votre revendeur agréé RIPACK.



## VÉRIFICATION DU DÉTENDEUR SÉCURIPACK

**TOUTES LES 500 HEURES** OU TOUS LES TRIMETSTRES AU MINIMUM, vérifier le bon fonctionnement du dispositif de sécurité contre la rupture de tuyau (intégré au SECURIPACK) en pratiquant comme suit :

- Placez-vous à l'extérieur, loin de toute source d'inflammation, étincelle et tout corps en ignition.
- Mettez l'appareil sous pression ; avec la clé fournie, débloquez l'écrou de raccord de tuyau et le dévisser totalement : le gaz doit se couper.



## **TOUS LES JOURS avant le commencement du travail :**

1. Vérifiez le bon état du tuyau sur toute sa longueur et aux raccords. Nous recommandons de le remplacer dans les cas suivants :

- Lorsque l'examen visuel a décelé des blessures (coupures), même superficielles
- Tous les 3 ans pour un usage intensif
- Au plus tard tous les 5 ans après la mise en service
- Nota : la date apparaissant sur le tuyau correspond à sa date de fabrication.

**Utiliser uniquement un tuyau de remplacement fourni par Ripack avec ses raccords sertis d'origine !**

2. Vérifiez la coupure de l'alimentation du gaz en relâchant la gâchette.

Voir : PAS DE COUPURE DE GAZ en page précédente.

**DÉCOUVREZ NOS TUTORIELS SUR LE SITE**  
**<https://ripack.com/tutoriels/ripack-2500/>**



Les produits livrés par RIPACK® (groupe SEFMAT) bénéficient d'une garantie contractuelle d'une durée de deux (2) ans, à compter de la date de livraison, couvrant tout vice caché provenant d'un défaut de matière, de conception ou de fabrication affectant le pistolet Ripack 2500 et le rendant impropre à l'utilisation.

Cette garantie contractuelle **s'applique uniquement au premier utilisateur du pistolet Ripack 2500 après l'enregistrement du produit sur le site internet de RIPACK®** à l'adresse suivante <https://ripack.com/enregistrer-un-produit/>. Pour l'application de cette garantie, le pistolet Ripack 2500 doit être enregistré dans les trois (3) mois qui ont suivi l'achat du produit.

Cette garantie a pour objet d'assurer le bon fonctionnement du pistolet Ripack 2500 ayant subi une panne d'origine interne. Afin de faire valoir ses droits, le client acheteur du pistolet Ripack 2500 devra, sous peine de déchéance de toute action s'y rapportant, informer RIPACK®, par écrit à l'adresse suivante [info@sefmat.com](mailto:info@sefmat.com), de l'existence des vices dans un délai maximum de sept (7) jours à compter de leur découverte. **La présente garantie prend en charge les coûts liés à la réparation du pistolet Ripack 2500** (pièces, main d'oeuvre et port retour, le port aller reste à la charge du client) **ou à son remplacement** (dans le cas d'une impossibilité de le réparer). Elle ne donne droit à aucune indemnité en nature ou en espèce.

Le remplacement des Produits ou pièces défectueux n'aura pas pour effet de prolonger la durée de la garantie ci-dessus fixée.

La garantie forme un tout indissociable avec le pistolet Ripack 2500 vendu par SEFMAT ou son revendeur agréé. Le pistolet Ripack 2500 ne peut être vendu ou revendu altéré, transformé ou modifié.

Notez que la prise en charge de la garantie de votre pistolet se fera à condition que l'étiquette du numéro de série d'origine soit présente sur le produit. Sa validation par nos partenaires agréés ou par notre site de fabrication ne sera possible qu'à condition de nous retourner l'ensemble des pièces que composent votre pistolet de rétraction (pistolet, raccord tournant, tuyau et détendeur). Sans le retour complet, nous ne serons pas en mesure de valider la prise sous garantie

Notre garantie contractuelle de deux (2) ans **ne s'applique pas** en cas de force majeure et ne couvre pas :

- La détérioration, l'usure normale du produit et notamment **les pièces d'usures suivantes : allumeur piezo #131003, bougie d'allumage #132054, tuyau gaz #250072.**
- Les accessoires ajoutés après l'achat du produit (le cas échéant, une garantie spécifique liée à l'accessoire concerné s'appliquera)
- Les défauts liés à un dommage, un cas fortuit ou un accident provenant par exemple d'un choc ou d'une chute.
- L'usage anormal, la mauvaise utilisation ou l'utilisation dans des conditions différentes de celles pour lequel le produit a été fabriqué, en particulier en cas de non-respect des conditions prescrites dans la notice d'utilisation de RIPACK®.
- Les transformations du produit et notamment les modifications apportées ou l'ajout de pièces ne provenant pas du fabricant.
- Le défaut d'entretien régulier du produit tel que décrit en page 20 de la notice d'utilisation de RIPACK®, la négligence ou le défaut de surveillance du produit de la part du client acheteur.
- La réparation préexistante du produit non assurée par RIPACK® ou par un revendeur agréé RIPACK®.
- Les produits ne portant plus l'étiquette ou le numéro d'identification ou les produits dont ce numéro a été modifié.

# RIPACK® 2500

DISTRIBUTEUR



**VÉRIFIEZ LA RÉFÉRENCE DE VOTRE DÉTENDEUR**



<p>UL</p>	A detailed image of a black metal pressure relief valve assembly. It features a central vertical body with a knurled adjustment ring at the top, a side inlet on the left, and a threaded outlet on the right.	<p>134025</p>
-----------	--	---------------

Code article	Désignation
131003	Allumeur piezo pour Ripack 2500 sans rallonge
133132	Clé plate de 19
133415	Clé Allen 3
133531	Demi-poignée droite
133532	Demi-poignée gauche
133533	Gâchette
135294	Entretoise courte pour poignée
140010	Joint plat de détenteur NF
144053	Notice d'utilisation RIPACK 2500
148043	Raccord tournant
152052	Vis CHc M 4 x 16
152153	Vis CHc M4x35
231173	Ensemble amortisseurs
231225	Ensemble buse de combustion complète (bougie + contact bougie + entretoises)
231231	Ensemble tube gaz équipé injecteur / Ripack 2500
233419	Cliquet et Ressort - verrouillage gâchette
248113	Robinet gaz
250072	Tuyau 7,5 m Ø int. 6, équipé raccords 3/8G





**DÉCLARATION DE CONFORMITÉ**  
**DECLARATION OF CONFORMITY**

Le fabricant soussigné :  
The manufacturer undersigned :

SEFMAT S.A.S, 7 RUE DE BETNOMS, 33185 LE HAILLAN, FRANCE

Déclare que l'appareil :  
Hereby declares that the appliance :

**RIPACK 2500**

destiné à la production d'une flamme produite par la combustion de GPL  
designed to produce a flame produced by the combustion of LGP

A partir du numéro de série : 20 007 088  
From Serial Number : 20 007 088

Est en conformité avec L'homologation CSA 70073010  
Is in conformity with SA certification 70073010  
Est en conformité avec L'homologation UL MH 25115  
Is in conformity with UL certification MH 25115

Fait au Haillan, le 15 novembre 2020  
Le Haillan, November 15th, 2020

Le Président  
President



United States Patent  
US 9, 482, 430 B2  
US 8, 678, 816 B2  
US 8, 529, 248 B2



**CERTIFICATIONS INTERNATIONALES**  
**WORLD CERTIFICATIONS**



