



GROUPE SEFMAT

RIPACK®

USER'S GUIDE

GAS HOSE REEL WINDER



**YOUR PROTECTION
BY EXCELLENCE**

REGISTER YOUR PRODUCT
ONLINE WARRANTY CONTRACT
WWW.RIPACK.COM/EN/REGISTER-A-PRODUCT/



CONTENTS

INSTALLATION.....	14
OPERATION.....	16
MAINTENANCE.....	16
EXPLODED VIEW & REPLACEMENT PARTS....	19
WARRANTY.....	21
DECLARATION OF CONFORMITY.....	19

INSTALLATION

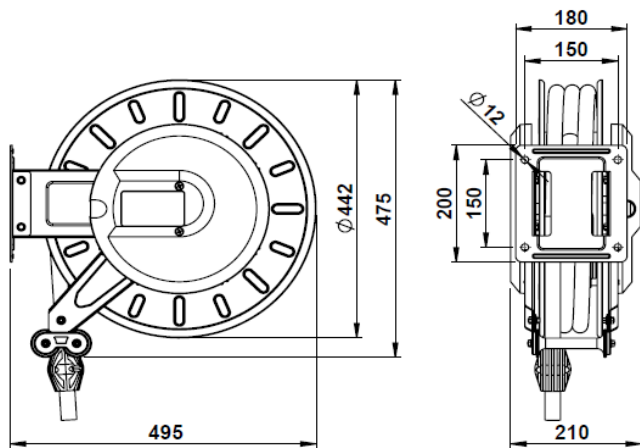
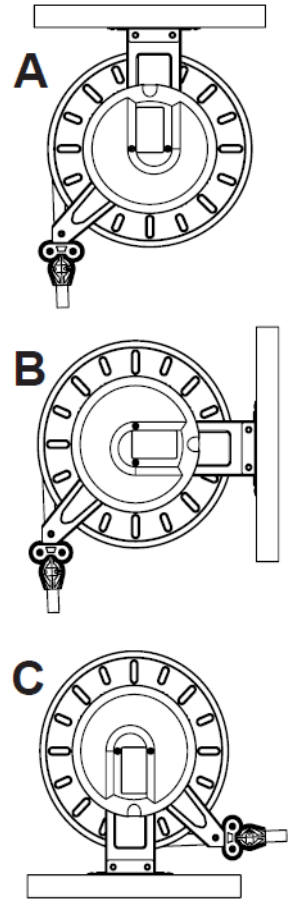
IMPORTANT! Any installation operation shall be carried out by a suitably trained staff, following carefully the information given in this manual.

Check the packaging at the reception of the goods and verify that the device has not been damaged during transport or storage operations. Make sure you receive all the components. Ask the manufacturer for any possible missing component.

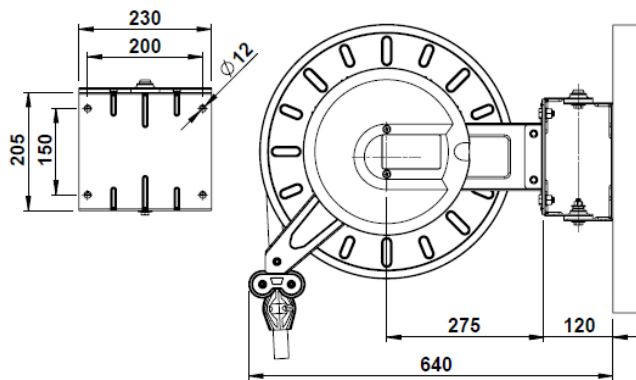
The hose reel has to be wall mounted at a minimum height of the floor of 2.50 m in order to prevent accidents during work operations. Considering the hose reel weight and dimensions, its movement requires the use of lifter devices. In particular cases it is possible to mount it on the floor or on other machines as accessory, only if complete with a fixed support. The hose-guide arms can be fixed in three different positions according to the hose reel installation (see pictures A-B-C).

Mount the hose reel in fixed position or with revolving stand on stiff and consistent walls using 4 dowels of 10 mm diameter.

WARNING! The manufacturer declines any responsibility for injuries to people or damages to things caused by a wrong assembly of the hose reel.



OPTIONAL

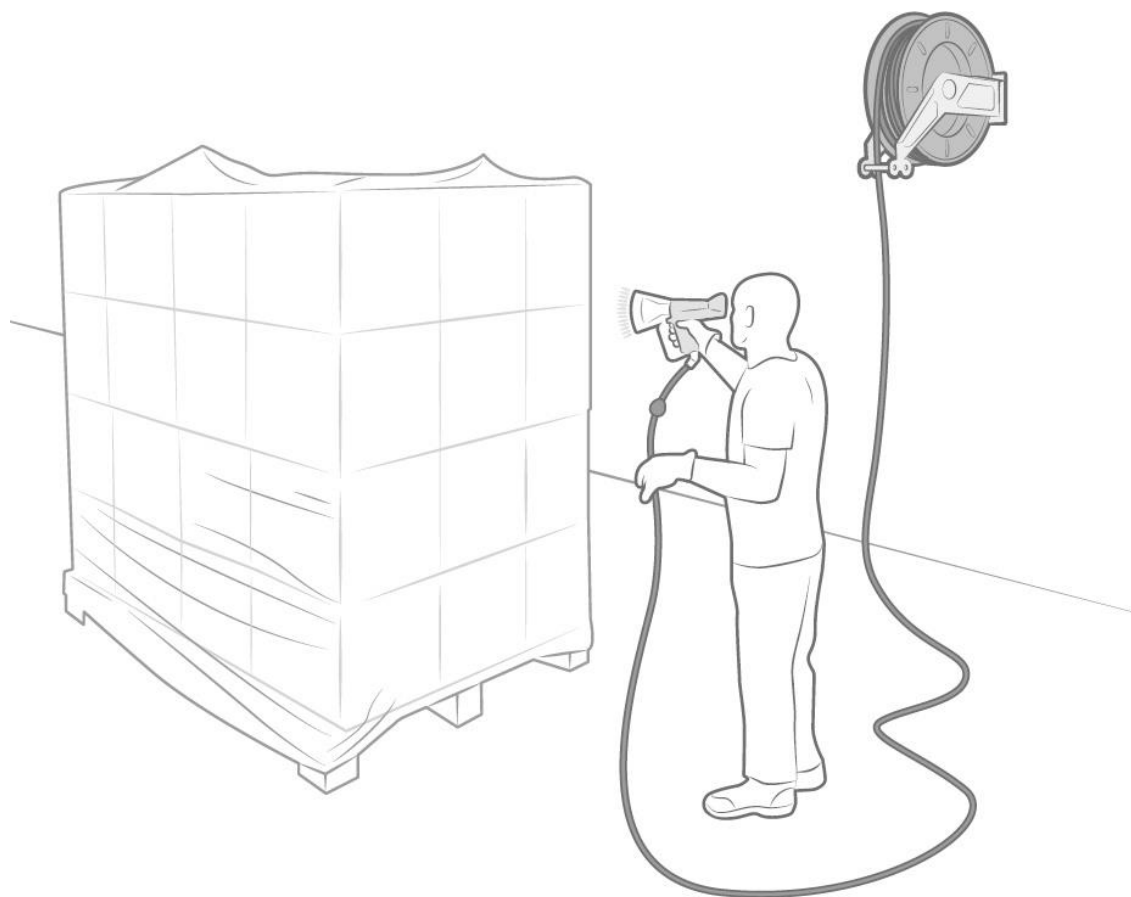


Before putting into operation:

- Check that the operating pressure is less than 4 bar.
- Check the presence and operation of the pressure regulator to avoid accidental hose bursts.
- Make sure that the operators are trained to use the reel.

Before the first connection, the hoses must be cleaned by blowing. Air or nitrogen should be used for blowing. If nitrogen is used, it must be vented safely to the outside.

Your hose reel is equipped with a 15-meter hose that complies with the DIN EN 16436-2 standard allowing the use of propane, butane and natural gas. It is equipped with 3/8 G fittings for connection to our range of equipment. Finally, a 4-meter-long hose equipped with 3/8 G fittings will allow you to connect to your installation (gas bottle or network).



Please refer to the **regulations applicable in the country of use** concerning the conformity and use of the products and accessories offered in our Ripack® range. The use of Ripack® accessories, connections and spare parts is essential for the correct operation and guarantee of our products and for the safety of people and property.

OPERATION

OPERATION OF THE RATCHET

Unwind the hose, the pawl passes over a toothed sector, generating a characteristic noise. The stop pawl operates on an area corresponding to 1/3 of a turn of the drum.

In this position, the hose can be released, the pawl is engaged.

To disengage it, pull the hose until it is completely rewound. Never let go of the hose outside the toothed area. It is important to always hold the hose when rewinding to avoid possible injury or damage to the connected device or surrounding objects.

Turn off the power supply at the end of the service and when the reel is not used for more than 30 minutes. The reel cannot be used in potentially explosive atmospheres (ATEX).

MAINTENANCE

IMPORTANT: Any maintenance operation shall be carried out by a suitably trained staff, following carefully the information given in this manual. Ensure that there is no tension in the spring before starting any operations inside the hose reel.

Before starting any operation in the reel:

- 1/ turn off the supply of gas.
- 2/ take out the hose stop and release slowly the hose so that the spring is fully unloaded.
- 3/ Replace the flexible hose as soon as it shows any sign of wear and tear or of deterioration due to the different conditions of the labor environment.
- 4/ Check periodically the correct operation of the hose reel and the absence of any gas losses from the couplers and the swivel joints. Replace the seal inside the revolving joint in case of losses due to wear and tear.
- 5/ Any replacement of hose reel parts has to be done using original spare parts. We advise you to contact the manufacturer for any possible anomaly and before replacing any part. After every maintenance operation, put again the eventual supports.

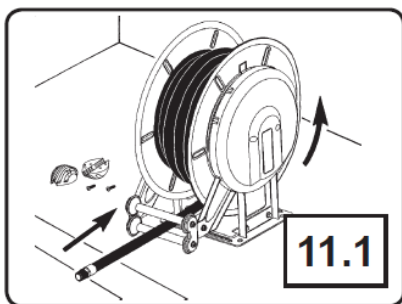
ATTENTION : Risk of explosion! Do not lubricate the swivel joints and the seals for Gas with oil and grease. Use lubricant (BAM) approved only.

During maintenance operations, never put your hands in the drum when the spring is loaded.

REPLACEMENT OF THE HOSE

The hose must always be replaced with an original hose ordered from an authorized distributor.

To change the hose, please follow the steps below:



11.1) Remove the hose rubber stopper and release the hose slowly until the spring is completely unloaded.

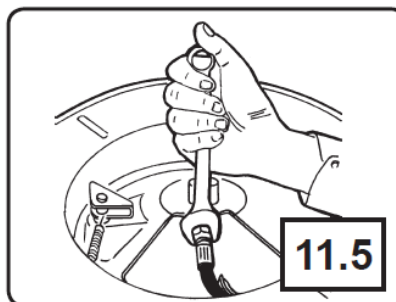
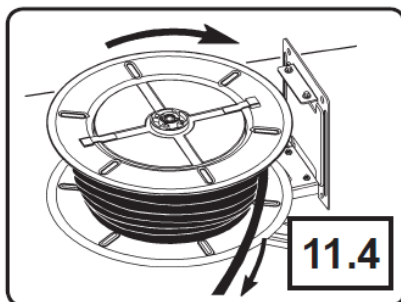
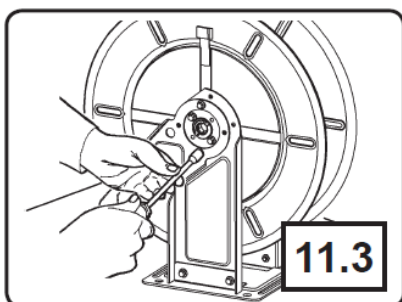
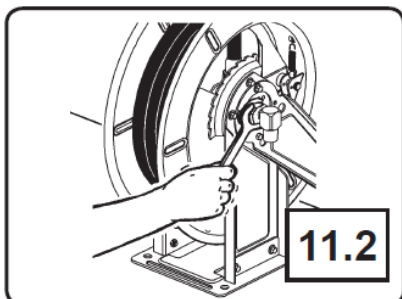
11.2) Loosen the swivel joint.

11.3) Loosen the screws of the spring linkage shaft.

11.4) Disassemble the opening on the spring side and unwind completely the hose from the drum.

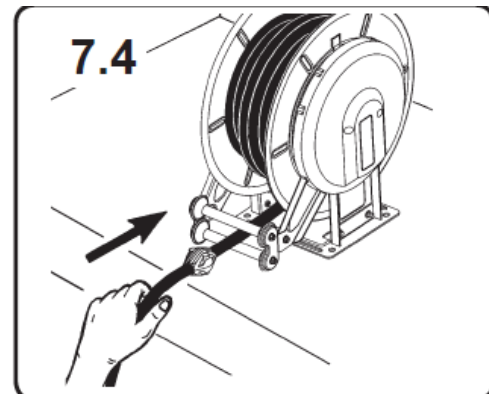
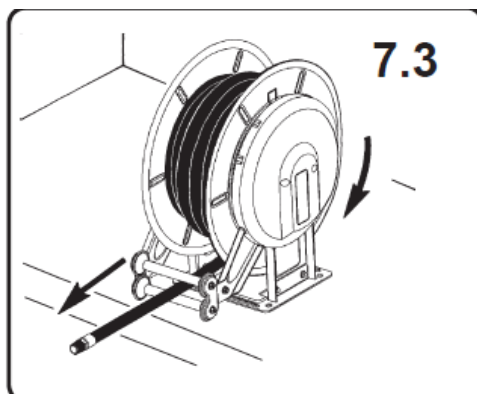
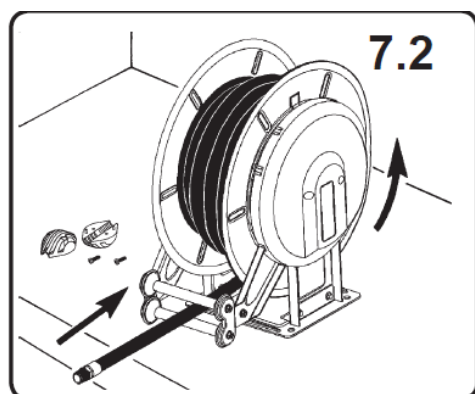
11.5) Take out the drum, unscrew the internal fitting with the suitable wrench and mount the new hose.

11.6) Assemble again the hose reel, by following the above steps in reverse order. If that is the case, grease the supports and the ratchet hook.



11.7) Go on as indicated at point 7.2 by rotate manually the drum in order to rewind completely the hose.
7.3) Hold the hose-end and rotate the drum 9 turns in the opposite direction to pre-load the spring. Insert again the hose-end between the guide rollers. 7.4) Put the hose rubber stopper at the desired length.

Unwind the hose and rewind it completely, to check if the hose reel works properly.



REPLACEMENT OF THE SPRING

The spring which allows to rewind the hose is placed inside a proper housing center which is joint to the drum.

WARNING! The disassembly of the spring is only permitted to the staff authorized and suitably trained by the manufacturer. Handle with the greatest care the spring.

12.1) Make sure that the rewinding system is totally unloaded and that the drum is free (see point 11.1)

12.2) Loosen the swivel joint.

12.3) Loosen the two screws of the spring linkage shaft by a 10 mm wrench (see point 11.3).

12.4) 12.4) Disassemble the opening on the spring side by a 10 mm wrench and take out the drum.

12.5) Take out the shaft from the spring housing.

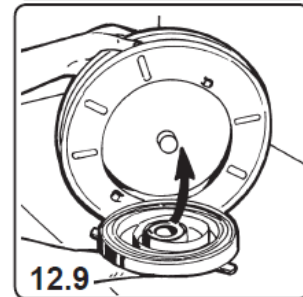
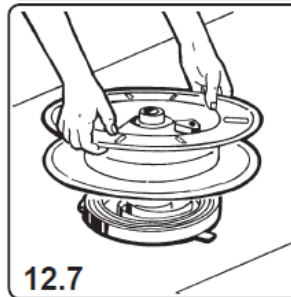
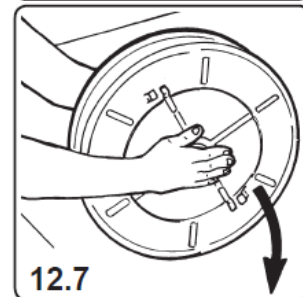
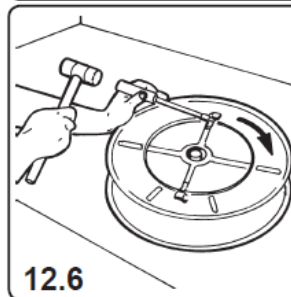
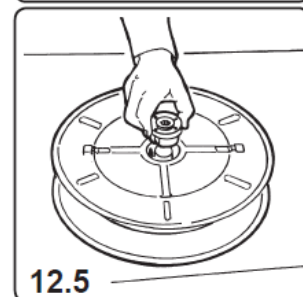
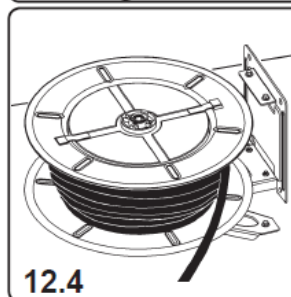
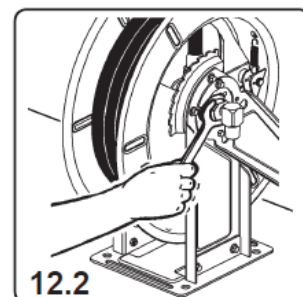
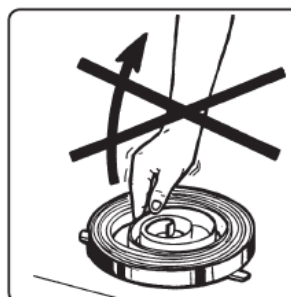
12.6) Lift the tangs on the drum by a screwdriver and rotate the spring housing center in order to release it from the drum.

12.7) Turn upside down the drum and take out the spring housing center paying the greatest care so that the spring does not go out of it.

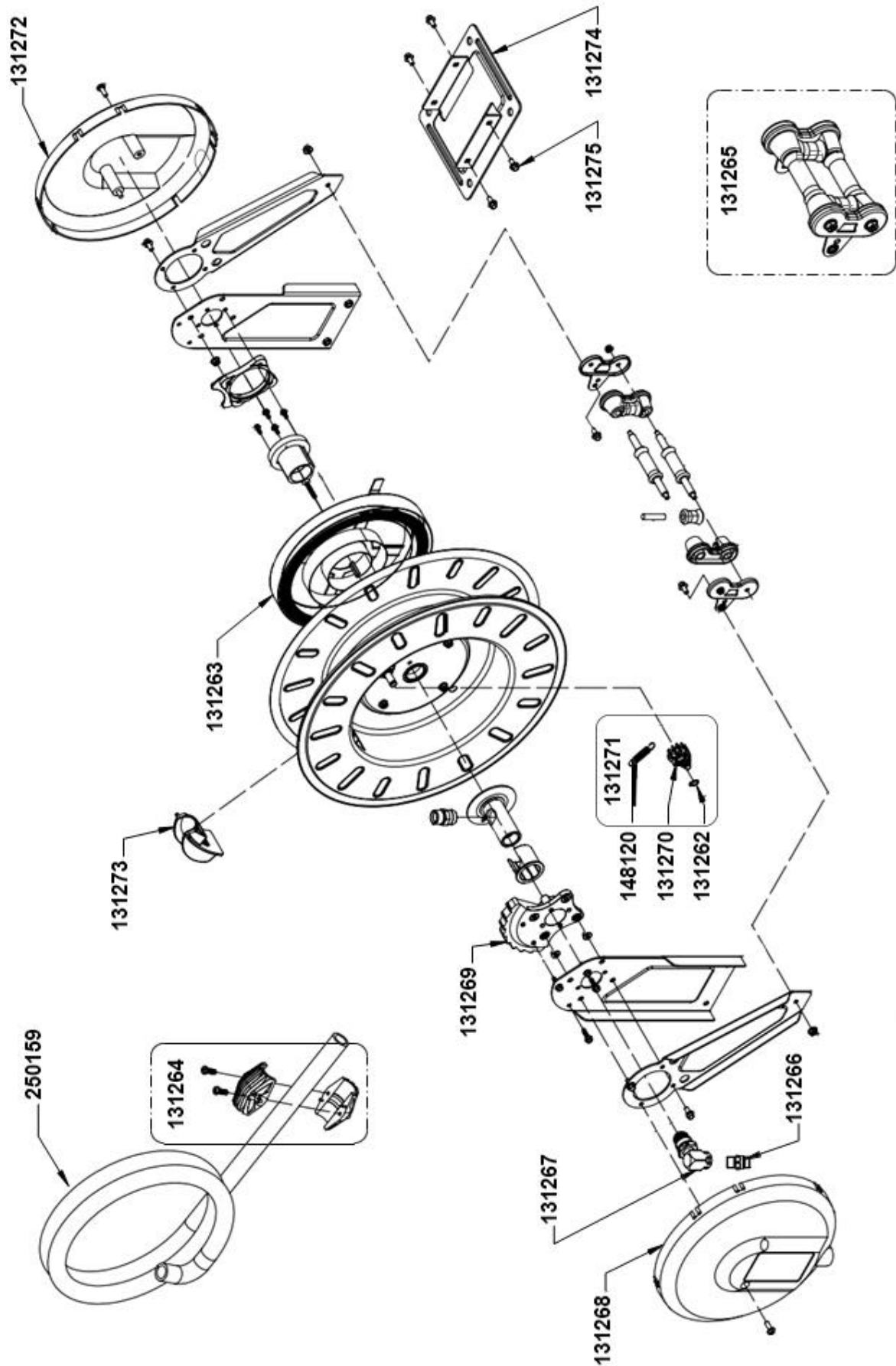
12.8) Insert and hook the shaft into the new spring housing center. Lubricate the spring and the shaft.

12.9) Put the drum straight and place the new spring housing center with the utmost care. Block the tangs.

12.10) Assemble all the parts and go on as indicated at point 7.2 of the chapter «Mounting of the hose»



EXPLODED VIEW AND REPLACEMENT PARTS



ARTICLE CODE	DESCRIPTION
131262	Seeger D.10
131263	Spring 25m 18 bar
131264	Hose stopper D.14 (5/16")
131265	4 rollers support
131266	Double screw left 3/8" G
131267	Swivel joint
131268	Cover swivel side
131269	Ratchet plate wheel D.32
131270	Ratchet hook
131271	Ratchet hook kit
131272	Cover spring side
131273	Hose guide curve D.<20
131274	Plate mod. V
131275	Screw TE M 6x12
131276	Spring for hook
250090	Hose 1.5 M with connections 3/8L (int.Ø 6) (A - B)
250099	Rubber Hose, 15 m with connections 3/8L (int Ø 6)
250132	Rubber Hose 4 m with connections 3/8L (int Ø 6)

WARRANTY

Your HOSE WINDER has been manufactured with the greatest care using quality materials. Numerous tests and inspections were carried out during production.

Every component meets the requirements of strict specifications in order to guarantee performance and adaptability.

For all maintenance work and spare parts, your RIPACK dealer ensures the supply of spare parts in accordance with the RIPACK requirements, guarantee of quality and of safety.

RIPACK WARRANTY:

WARRANTY OF OPERATION for one year under the following conditions :

- that the appliance has been used in compliance with the user's guide;
- that the appliance has not been disassembled except for the procedures described in the user's guide;
- that the appliance is physically intact (for example: flanges, arm and support, etc.).

This warranty does not apply to the following replacement parts:

- Hose,
- Ratchet,
- Pawl spring

I replacement parts must be original RIPACK spare parts. The manufacturer shall not be held responsible and shall not be liable for any claims if the warnings and instructions are not respected.

The company SEFMAT shall not be held responsible for accidents involving persons or goods which arise from the incorrect use of the appliance or from using it for an application which is not specifically mentioned in the user's guide. All disputes shall be governed by the courts of Bordeaux - France. No other place of jurisdiction shall be accepted.

The use and the resale of the HOSE WINDER imply the acceptance of the terms and conditions.

**IN THE EVENT OF A WARRANTY CLAIM, PLEASE ATTACH A COPY OF YOUR
SUPPLIER'S INVOICE.**



**DÉCLARATION DE CONFORMITÉ CE
EC- DECLARATION OF CONFORMITY
CE - KONFORMITÄTSERKLÄRUNG**

Le fabricant soussigné :
The manufacturer undersigned :
Der unterzeichnete Hersteller:

SEFMAT S.A.S, 7 RUE DE BETNOMS, 33185 LE HAILLAN, FRANCE

Déclare que l'appareil :
Hereby declares that the appliance :
Erklärt hiermit, dass das Gerät :

HOSE REEL

Destiné à la production d'une flamme produite par la combustion de gaz
Designed to produce a flame produced by the combustion of gas
Zue erzeugung einer durch verbrennung von gas erzeugten flamme bestimmt ist,

Est conforme aux dispositions du règlement (UE) 2016/426 du 9 mars 2016 concernant les appareils brûlant des combustibles gazeux.

Is in accordance with the regulation (eu) 2016/426 of 9 March 2016 on appliances burning gaseous fuels.

Den anforderungen der verordnung (eu) 2016/426 vom 9. März 2016 über geräte zur verbrennung gasförmiger brennstoffe entspricht.

Cette conformité est confirmée par le laboratoire DVGW CERT sous le numéro DG-2418BR0325.

This conformity is confirmed by the DVGW CERT laboratory under number DG-2418BR0325.

Diese Konformität ist vom DVGW-CERT-Labor unter der Nummer DG-2418BR0325 bestätigt.

Fait au Haillan, le 6 juin 2019
Le Haillan, June 6th, 2019
Le Haillan, 6. Juni 2019

Le Président
President
Vorstandsvorsitzender

CERTIFICATIONS INTERNATIONALES
WORLD CERTIFICATIONS



