



GROUPE SEFMAT

**RIPACK®**

**USER'S GUIDE**

**RIPACK 2100**



**YOUR PROTECTION  
BY EXCELLENCE**

**REGISTER YOUR PRODUCT  
ONLINE WARRANTY CONTRACT**

[RIPACK.COM/EN/REGISTER-A-PRODUCT](http://RIPACK.COM/EN/REGISTER-A-PRODUCT)



# RIPACK® ACCESSORIES

## GAS CYLINDER CART

Very practical to transport your bottle effortlessly, the cart also improves safety in the workplace. The mobility of gas cylinders in your warehouse is recommended by your insurer. The gas hose of your Ripack shrink gun is also protected against possible damage with its exit by a flexible guide or articulated arm, depending on the model chosen.



## GAS HOSE REEL WINDER

With its automatic hose return system, don't leave your Ripack shrink gun lying around. A ratchet locks your hose at the desired distance to ensure easy retraction. A simple tension on the hose engages the rewind. The hose reel is an alternative to the Ripack bottle cart and also makes it easier to move around the goods to be packed.



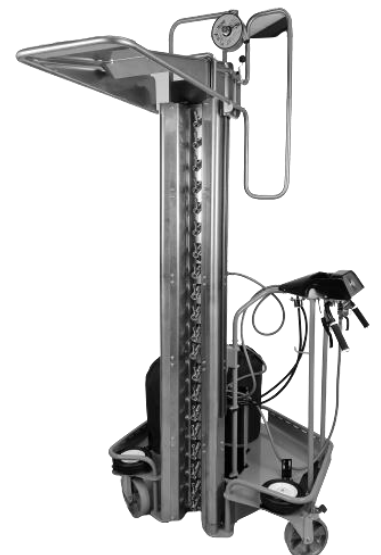
## TURBOPACK SHRINK COLUMN

### INDEPENDENT AND MOBILE

The Turbopack is moved to the pallets, thus avoiding the handling of unsteady loads.

### FLEXIBLE

No limitation in length or width of the load. Heating height adjustable from 0.80 m up 3.20 m.

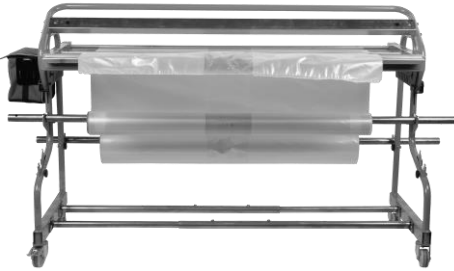


# RIPACK ACCESSORIES

## MULTICOVER FILM SEALERS

The Multicover sealers allow to make pallet covers and bags from rolls of shrink-film when required and in any size.

Make savings by avoiding useless stock of various heights and sizes.



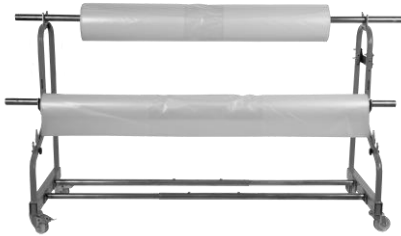
**MULTICOVER 955**  
Ripack Heat Gun Sealing



**MULTICOVER 960**  
Electrical impulse sealing



2nd reel in option



**MULTICOVER 935**

## CALPACK PALLET RAISER

Quick and easy to set up, the Calpack allows the film to shrink under the pallet. The load is thus perfectly stabilized with the pallet. Calpack can be used as well with a pallet-truck or a fork-lift.



# TOOL BAG CONTENT



Securipack pressure regulator

Wrench

Swivel connector

7,5 m gas hose

User's guide memo



GROUPE SEFMAT

**RIPACK®**

## **Ripack 2100**

**HAND-HELD PROPANE-FIRED SHRINK GUN FOR  
SHRINK-WRAPPING PLASTIC FILMS**

### **USER'S GUIDE**











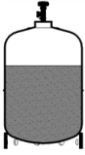
# CONTENTS

<b>WARNINGS.....</b>	<b>7</b>
<b>OPERATIONS.....</b>	<b>14</b>
<b>CONNECTIONS.....</b>	<b>15</b>
<b>SPARE PARTS.....</b>	<b>17</b>
<b>EXAMPLE OF USE.....</b>	<b>18</b>
<b>MAINTENANCE.....</b>	<b>20</b>
<b>WARRANTY.....</b>	<b>25</b>
<b>EXPLODED VIEW.....</b>	<b>26</b>
<b>SPARE PARTS LIST.....</b>	<b>27</b>
<b>DECLARATION OF CONFORMITY.....</b>	<b>28</b>

# WARNINGS



## TO BE READ BEFORE STARTING FOR THE FIRST TIME

	Do not use this device in regulated areas with specific fire or explosion hazards.
	Do not use the device to shrink the plastic lm on a oor made of combustible material (wood, plastic, etc...).
	Delineate a working area such that the tip of the thermal lance is always at least more than 1,5 m inside this area and prohibit access to unauthorised individuals.
	Make sure there are no leaks on the ttings and inspect the pipe for cracks or loose connections.
	Have to hand an appropriate re extinguisher or suitably-sized spray filled with water.
	Avoid wearing highly ammable nylon or similar clothing.
	Wear heat-resistant gloves while using the device.
	Maintain strict supervision for at least 2 hours after retraction.
	Check that the regulator fits properly with the gas cylinder.

This appliance is meant exclusively for professional use and for shrinking plastic films.

Users of the Ripack 2100 shrink gun must read this user 's guide completely and must be trained for the applications that require the use of this appliance.

## **READ ALL INSTRUCTIONS.**

This appliance is meant **exclusively** for professional use.

- a. Before using, check all parts for proper function and damage to component parts.
- b. Do not use this torch to heat, mold or bend plastic sheets, moulding or tubing.
- c. Hidden areas such as behind walls, ceilings, floors, soffit boards and other panels may contain flammable materials that could be ignited by the heat gun when working in these locations. The ignition of these materials may not be readily apparent and could result in property damage and injury to persons.
- d. When working in these locations, keep the torch moving in a back-and-forth motion. Lingering or pausing in one spot could ignite the panel or the material behind it.”
- e. not use this torch to remove paint (if the torch can be used to remove paint, items (f) and (g) below shall be used).
- f. **WARNING:** Extreme care should be taken when stripping paint. The peelings, residue and vapors of paint may contain lead, which is poisonous. Any pre-1977 paint may contain lead and paint applied to homes prior to 1950 is likely to contain lead. Once deposited on surfaces, hand to mouth contact can result in the ingestion of lead. Exposure to even low levels of lead can cause irreversible brain and nervous system damage; young and unborn children are particularly vulnerable. Before beginning any paint removal process you should determine whether the paint you are removing contains lead. This can be done by your local health department or by a professional who uses a paint analyzer to check the lead content of the paint to be removed.



**LEAD-BASED PAINT SHOULD ONLY BE REMOVED BY A PROFESSIONAL AND SHOULD NOT BE REMOVED USING A HEAT GUN.**

g. Persons removing paint should follow these guidelines:

- 1. Move the work piece outdoors. If this is not possible, keep the work area well ventilated. Open the windows and put an exhaust fan in one of them. Be sure the fan is moving the air from inside to outside.
- 2. Remove or cover any carpets, rugs, furniture, clothing, cooking utensils and air ducts.
- 3. Place drop cloths in the work area to catch any paint chips or peelings. Wear protective clothing such as extra work shirts, overalls and hats.
- 4. Work in one room at a time. Furnishings should be removed or placed in the center of the room and covered. Work areas should be sealed off from the rest of the dwelling by sealing doorways with drop cloths.
- 5. Children, pregnant or potentially pregnant women and nursing mothers should not be present in the work area until the work is done and all clean up is complete.
- 6. Wear a dust respirator mask or a dual filter (dust and fume) respirator mask which has been approved by the Occupational Safety and Health Administration (OSHA), the National Institute of Safety and Health (NIOSH), or the United States Bureau of Mines. These masks and replaceable filters are readily available at major hardware stores. Be sure the mask fits. Beards and facial hair may keep masks from sealing properly. Change filters often. **DISPOSABLE PAPER MASKS ARE NOT ADEQUATE.**
- 7. Use caution when operating the heat gun. Keep the heat gun moving, as excessive heat will generate fumes, which can be inhaled by the operator.
- 8. Keep food and drink out of the work area. Wash hands, arms and face and rinse mouth before eating or drinking. Do not smoke or chew gum or tobacco in the work area.
- 9. Clean up all removed paint and dust by wet mopping the floors. Use a wet cloth to clean all walls, sills and any other surface where paint or dust is clinging. **DO NOT SWEEP, DRY DUST OR VACUUM.** Use a high phosphate detergent or trisodium phosphate (TSP) to wash and mop areas.
- 10. At the end of each work session put the paint chips and debris in a double plastic bag, close it with tape or twist ties and dispose of properly.
- 11. Remove protective clothing and work shoes in the work area to avoid carrying dust into the rest of the dwelling. Wash work clothes separately.

Wipe shoes off with a wet rag that is then washed with the work clothes.

Wash hair and body thoroughly with soap and water.

h. Close the valve of the gas bottle when not in use for long periods of time.

i. Press the trigger to empty the gas hose and release the pressure.

j. Never heat a specific area continuously

k. Keep the working zone clean and remove all waste (wood, paper, other inflammable materials).

l. For all work inside professional workshops, the gas bottle must be placed on a mobile trolley that can be maneuvered easily.

m. **SAVE THESE INSTRUCTIONS.**

This user's guide must be kept for future reference.

Do not use this appliance for shrinking plastic film on materials, substances, products or liquids that inflame spontaneously, either processed in bulk or packed, and do not use the appliance in the storage areas of these products or in spaces where it is explicitly forbidden to smoke for safety reasons.

Do not use this appliance for shrinking plastic film on a floor that is made of combustible material (wood, plastic, etc..).

Close the valve of the gas bottle when not in use for long periods of time.

Press the trigger to empty the gas hose and release the pressure.

Never heat a specific area continuously.

Keep the working zone clean and remove all waste (wood, paper, other inflammable materials).

For all work inside professional workshops, the gas bottle must be placed on a mobile trolley that can be manoeuvred easily.

**This appliance, like all other gas appliances, consumes air and produces combustion fumes that contain CO<sub>2</sub> and CO. Exposure to high concentrations of the latter gas is lethal. Make sure there is sufficient ventilation in accordance with the amount of time the appliance is used (see «Technical Characteristics»).**

**We recommend that the appliance be used in a room without specific pollution which has a minimum volume of 16 m<sup>3</sup> (fresh air flow: 48m<sup>3</sup>/h).**

Never work in a basement.

Before using the appliance, make sure that you are conforming to the guidelines for using liquid gas.

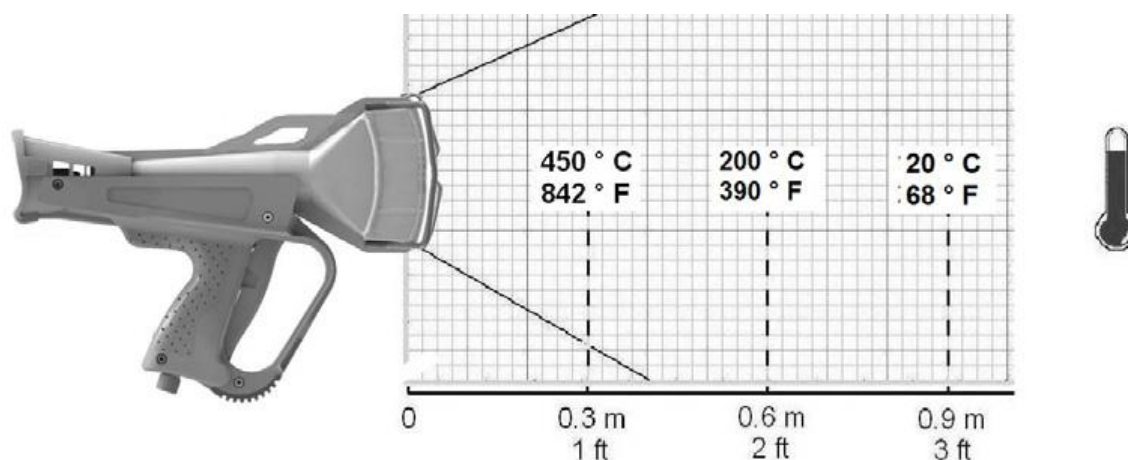


In operation, this appliance produces a flame. Do not point the flame towards yourself, other persons or animals, towards the gas bottle or the hose, or towards inflammable materials.



Please refer to the **regulations applicable in the country of use** concerning the conformity and use of the products and accessories offered in our Ripack® range. The use of Ripack® accessories, connections and spare parts is essential for the correct operation and guarantee of our products and for the safety of people and property.

In operation, the appliance creates a **danger zone up to 0,9 metres (3 feet)** in front of the fire nozzle.



We draw the attention of operators to the fact that within the danger zone, there is a possible risk of burning for persons and animals, and goods can be damaged or catch fire.

In use, the gun must always be in motion so that the material used does not exceed the maximum temperature specified by the supplier.

This temperature depends on the operating distance, the exposure time and the power setting of the device.

This appliance, which is designed for applying plastic films by heating, can also be used for other purposes where the products can withstand the heat produced by a naked flame. Such use is explicitly the responsibility of the user. The manufacturer's guidelines of the product that is being handled must be followed at all times. In addition, the national, federal and local regulations with regard to the operation of appliances with a naked flame must also be respected.

To operate the appliance safely, you must follow the warnings mentioned above as well as the guidelines provided by the manufacturer of the materials being handled. The safety distance, the duration of exposure and the adjustment of the appliance for the different materials being handled, depend on the instructions provided by the manufacturer of the materials in question.

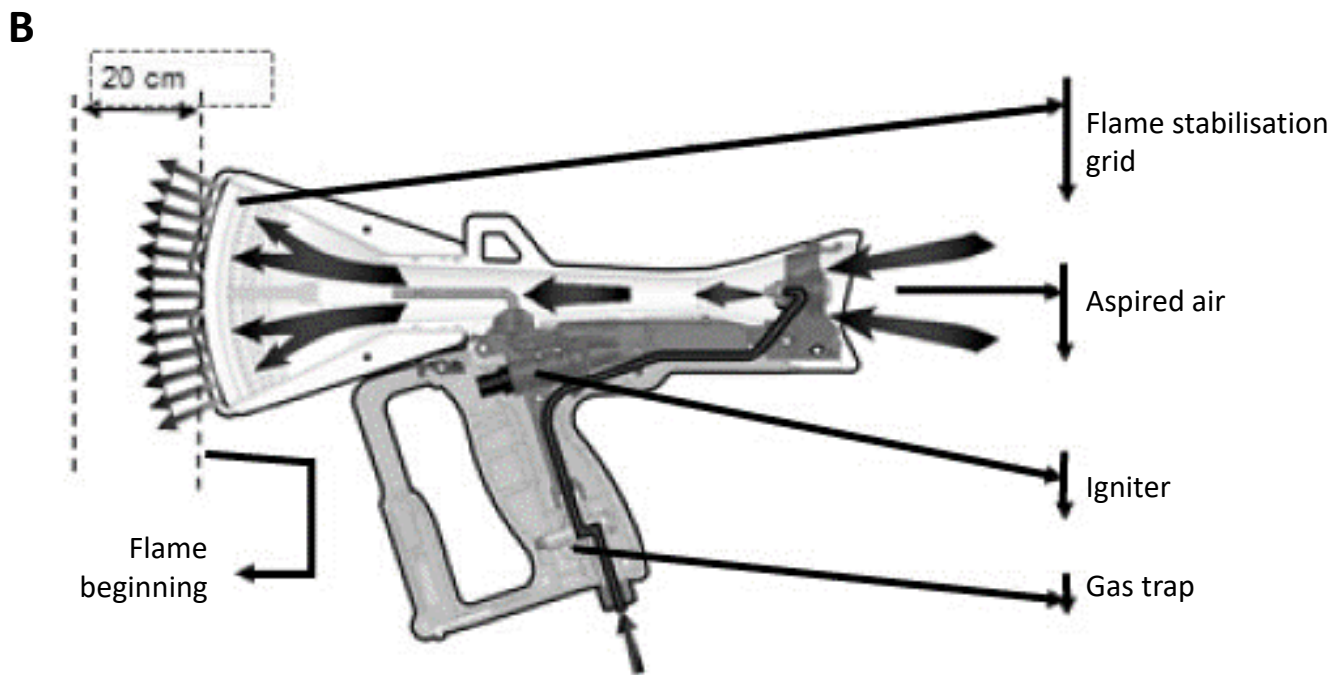
Always contact your RIPACK® distributor for all maintenance work and spare parts.

The RIPACK 2100 propane works with propane according to the principle of atmospheric air burners induced at high speed (diagram B).

Ignition is performed using a piezoelectric lighter that is activated simultaneously with the release of gas activated by the trigger, which is the sole operating mechanism.

The RIPACK 2100 is a gun incorporating several safety mechanisms:

- Its original and patented design ensures combustion without heating its combustion nozzle (cold nozzle).
- A security valve system cuts off the gas supply in the event that the hose breaks or tears.
- An automatic safety device (so-called dead man's switch) cuts the supply of gas automatically if the trigger is released. This stops the heating immediately. This dead man's device must never be blocked in the open position in any way.
- A guard in front of the trigger prevents untimely operation.



# PROPANE GAS APPLIANCE


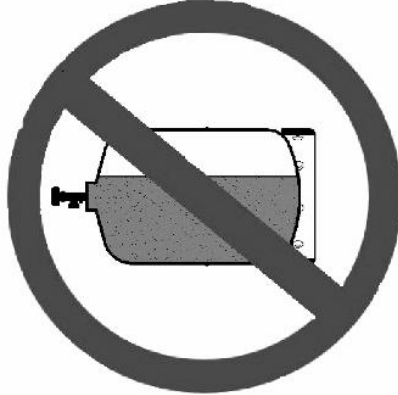
## TECHNICAL CHARACTERISTICS :

	<b>SI SYSTEM</b>
Pressure (bar)	2,5 bar
Power (kW)	40 kW
Consumption (kg/h)	2,6 kg/h
Air intake (m <sup>3</sup> /h)	36 m <sup>3</sup> /h
CO emission vol %	0,001%
CO <sub>2</sub> emission vol %	2%
Noise level	< 85 dbA
Length	36 cm
Weight	955 g
Energy source	Propane GAS
	<b>ANGLO-SAXON SYSTEM</b>
Pressure (PSI)	29 PSI
Power (btu/h)	136 485 btu/h
Consumption (lbs/h)	6 lbs/h
Air intake	1230 cu.ft.h
CO emission vol %	0,001%
CO <sub>2</sub> emission vol %	2%
Noise level	< 85 dbA
Length	14 inches
Weight	2 lb
Energy source	Propane GAS

# OPERATION

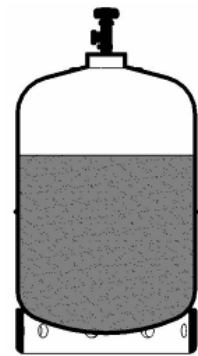
Before operating the appliance you must read all the warnings mentioned above and make sure that using the appliance is not forbidden by the manufacturer of the materials that you are going to handle.

With this appliance you must use the ORIGINAL hose and SECURIPACK that were supplied.

<b>FORBIDDEN WITH ALL USES</b>	
	
<b>LIQUID PROPANE GAS</b> (E.g Fuel forklift truck)	<b>BOTTLE ON ITS SIDE</b>

The Ripack 2100 works with PROPANE gas in gas phase, contained in bottles of different capacities.

Use the largest possible bottles available.



Always connect and disconnect the bottles a long way from any flames and ignition points.

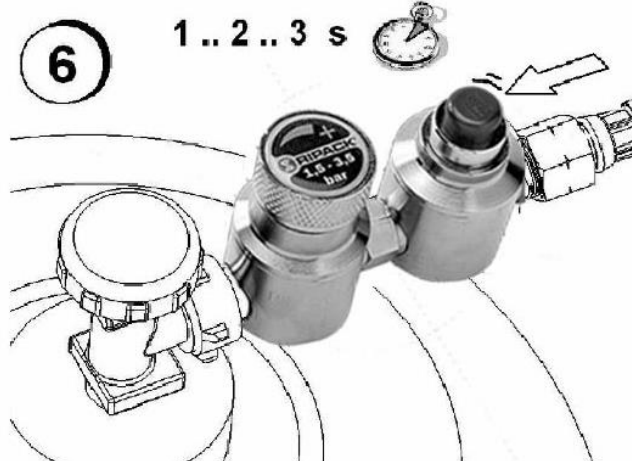
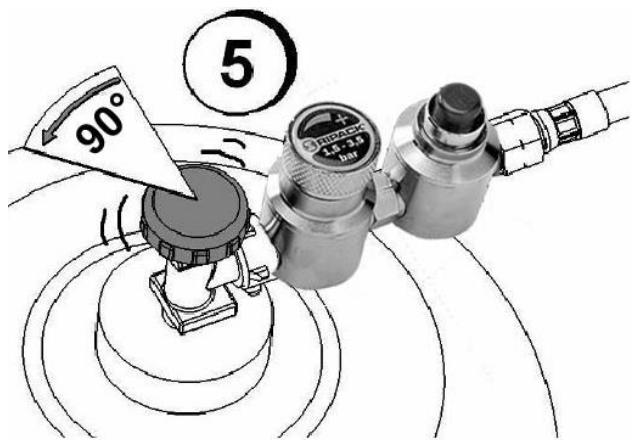
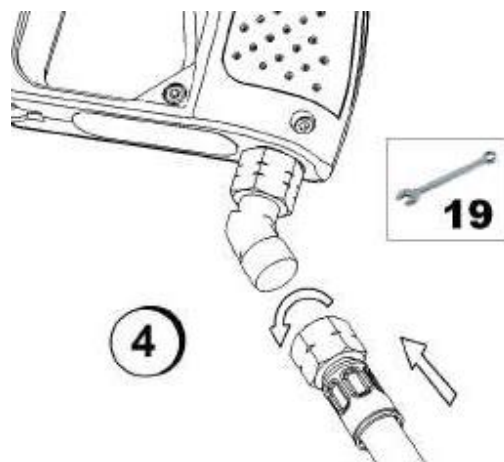
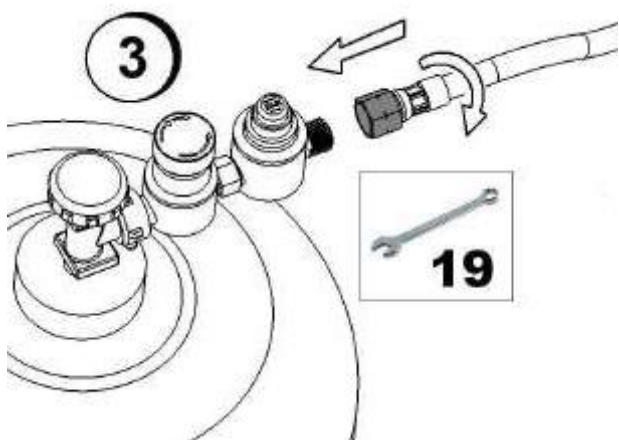
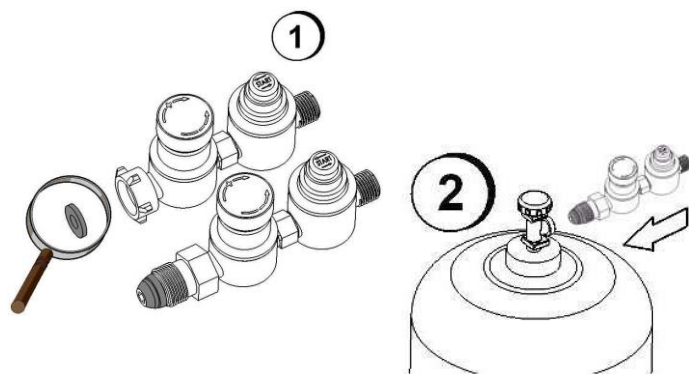
For all work inside professional workshops, the bottle must be placed on a mobile trolley that can be manoeuvred easily.

Before the first connection, the hoses must be cleaned by blowing. Air or nitrogen should be used for blowing. If nitrogen is used, it must be vented safely to the outside.

# CONNECTIONS

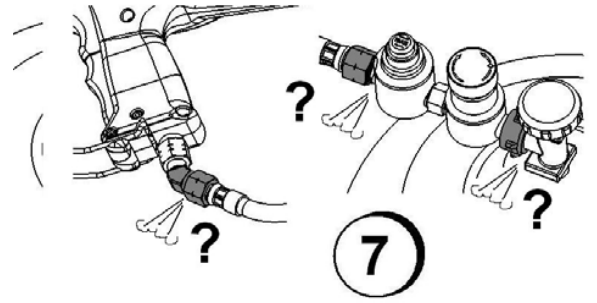
Before connecting the SECURIPACK to the gas bottle, make sure the sealing gasket is positioned correctly for systems using this type of joint.

In other cases, make sure the fitting is clean.



# TIGHTNESS

Use a bubble spray or some soapy water to check that there are no leaks in the parts that have been screwed together (bottle, hose and gun connections).



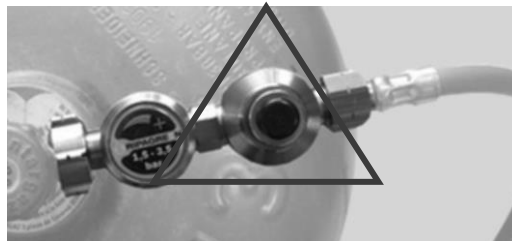
## IGNITING THE RIPACK -100





## NEVER WORK WHILE HOLDING THE RED BUTTON.

The SECURIPACK automatically cuts off the supply of gas if the pressure drops below the minimum level necessary for the normal efficiency of the work.



This is the case when:

- The bottle is nearly empty (the gun can only be used for a few more minutes at reduced power: change the bottle);
- The temperature of the bottle has dropped after intensive use (icing): if this is the case, change the bottle temporarily or wait until the normal pressure returns, especially if you are working outside (0°C / 30°F and colder).

## NEVER HEAT A GAS BOTTLE WITH A FLAME.

WHEN YOU HAVE FINISHED WORKING, ALWAYS CLOSE THE GAS BOTTLE VALVE AND EMPTY THE HOSE BY PRESSING THE TRIGGER.

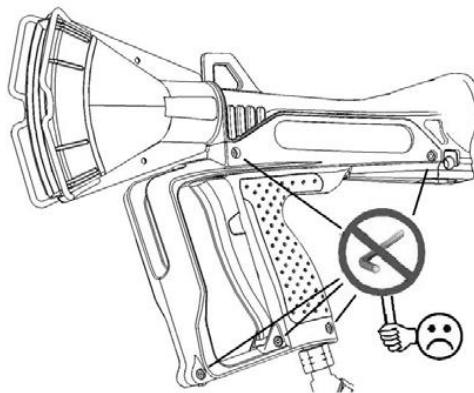


## SPARE PARTS

THE COMPANY RIPACK SHALL NOT BE HELD LIABLE IN THE EVENT THAT THE GUN IS DISMANTLED.

Contact your dealer if the RIPACK 2100 needs to be dismantled.

Only the procedures described in the maintenance chapter are authorised.



# EXAMPLES OF USE

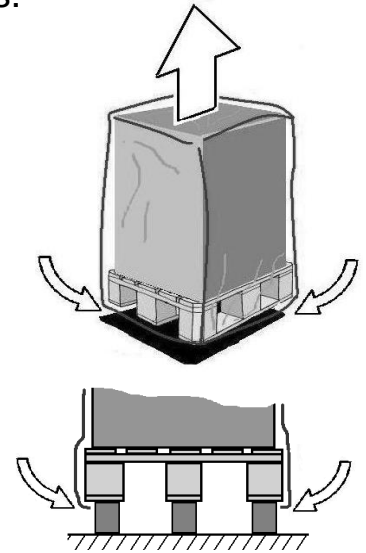
## SHRINK-WRAPPING A LOADED PALLET

Ask your film supplier for the operating instructions.

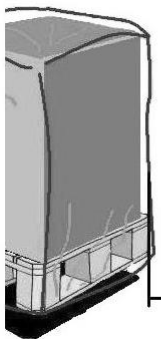
The pallet must be lifted so that the four corners are accessible: the purpose of this is to allow the film to be shrunk under the pallet and so ensure very strong cohesion between the pallet and the load it supports. You will find an accessory in the RIPACK product range that is designed specially to keep pallets lifted from the ground: the CALPACK (contact your dealer).

Slide the shrink cover, which must be about 5% wider than your pallet and sufficiently long to be able to be shrunk under the pallet (H plus 200 mm).

Ignite your RIPACK Series 2100 as explained in the chapter «Operation».



## SHRINK-WRAPPING RECOMMENDATIONS



(in the absence of instructions provided by the film manufacturer):



30 cm

Remain at a distance of at least about 30 centimetres from the film and start shrink-wrapping the lower part of the four sides so the pallet is shrink-wrapped underneath. Make sure you point the air flow perpendicularly along the sides of the pallet.

Apply the heat in a continuous movement and at a constant speed.

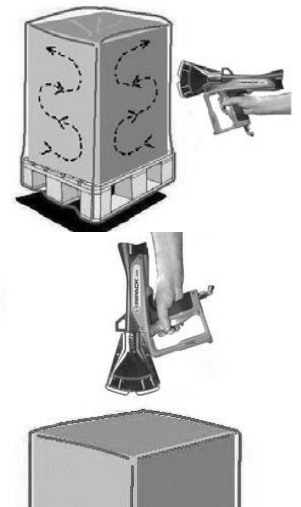
### NEVER STAY ON THE SAME SPOT

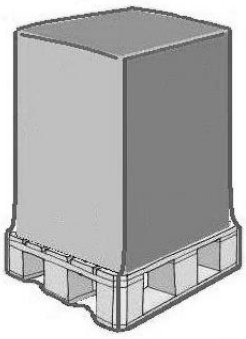
The various films react differently, so you must observe the reaction and adapt your speed and movement and/or the distance between the nozzle and the film accordingly.

Once the lower part of the pallet has been shrinkwrapped, continue the operation for each side and move from top to bottom to cover the entire height.

Once the 4 sides have been shrink-wrapped, you can do the top by applying the hot air to the top of the pallet.

**CAUTION:** The film is already stretched along the sides so you should apply less heat on the top in order to prevent the cover from being damaged.





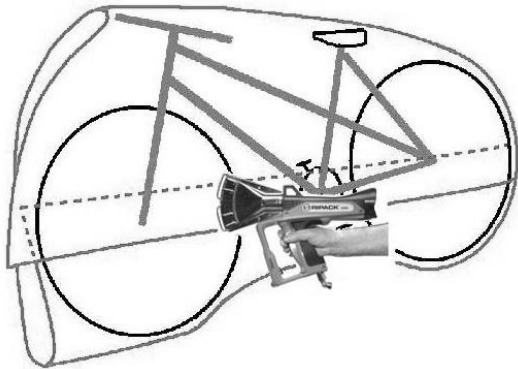
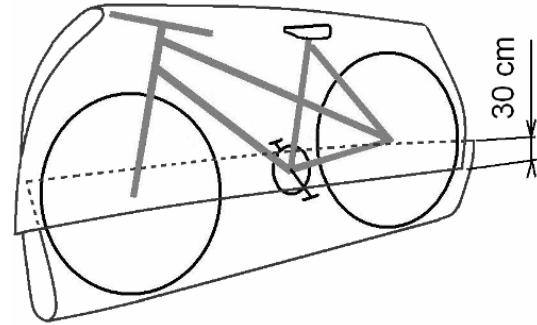
When you have stopped applying heat with the gun, the plastic film, because of its make-up, will continue to shrink for some time. This time will vary depending on the quality, the thickness and the type of load that has been wrapped. It is recommended therefore that you wait until the cover has cooled off and everything is tight before moving the pallet. After cooling and before storage, always check that the cover and the wrapped goods are in good condition.

**CHECK CAREFULLY FOR AT LEAST 2 HOURS  
AFTER SHRINK-WRAPPING.**

## PACKAGING

All kinds of objects with irregular shapes can also be packaged using shrink-wrap film.

To obtain a good film joint, you need to provide a minimum overlap of 30 cm.

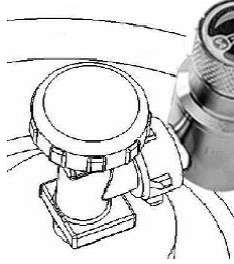


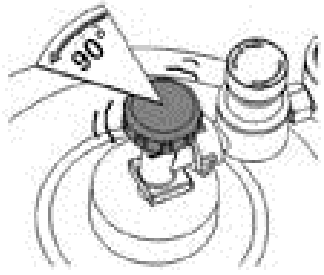

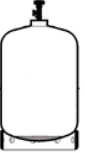





Start by heating the film in a continuous movement and then put pressure on this part to connect the two parts together.

Once the joint has been made, continue the shrink-wrapping by holding the appliance at least 30 cm from the film. When doing this, be sure to follow the recommendations for shrink-wrapping.

# MAINTENANCE

## MALFUNCTION DIAGNOSIS : NO GAS COMING OUT OF YOUR RIPACK

<p>CYLINDER VALVE CLOSED</p>		<p>Open the faucet by 90°</p> 
<p>TOO HIGH FLOW RATE (The internal safety of the gas cylinder can shut off the flow if the valve is opened too much).</p> 	<p>CLOSE THE VALVE</p>	<p>Open the faucet by 90°.</p> 
	<p>Purge the gas circuit in the shrink gun</p>	
<p>REGULATOR IMPOSSIBLE TO PRIME</p>  <p><b>NOTE:</b> THE RED BUTTON CUTS OFF THE GAS SUPPLY BELOW A PRESSURE THAT IS TOO LOW FOR THE OPERATION OF THE RIPACK 2100.</p>	<p>Change the bottle.</p> 	
	<p>The regulator only works with propane gas.</p> 	
	<p>CONTINUOUS USE CAUSES THE BOTTLE TO FROST Provide a replacement cylinder while the gas warms up.</p> 	
<p>THE OUTSIDE TEMPERATURE IS LOW Store the bottles in a temperate room.</p> 		

NOTE : THE PRESSURE OF THE GAS IN A CYLINDER IS PROPORTIONAL TO THE TEMPERATURE OF THE GAS.

# MALFUNCTION DIAGNOSIS : DIFFICULTIES IN IGNITION OF YOUR RIPACK 2100

PIEZO USED



THE PIEZO LOSES ITS  
ELECTRICAL PROPERTIES  
WITH EACH SOLICITATION.

SPARE PIEZO REFERENCE:  
131003

1



2

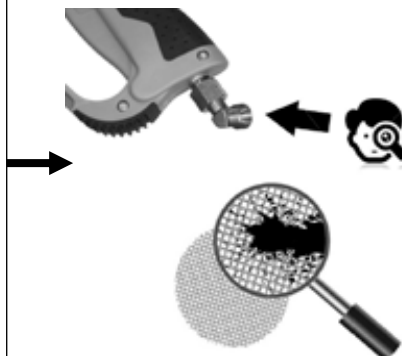


3



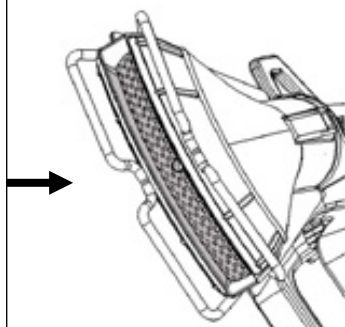
# MALFUNCTION DIAGNOSIS : DIFFICULTIES IN IGNITION OF YOUR BURNER

THE GAS FLOW RATE IS  
ABNORMALLY REDUCED  
(short and weak flame)  
The ignition is not easy to do.



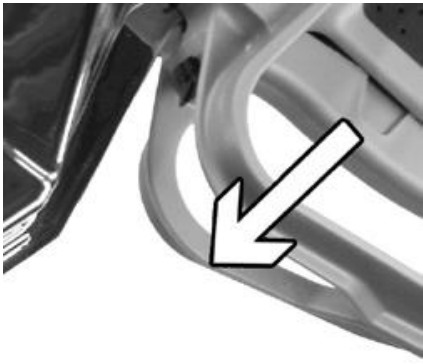
The swivel is equipped with a grid filter .  
This can be blocked by the pollution of a gas cylinder:  
Remove the filter with a pointed needle.  
Reassemble after cleaning.

POLLUTED COMBUSTION  
NOZZLE



Clean the grid.  
Thoroughly clean the spark plug housing which mainly generates the ignition of the flame.  
We recommend the use of a compressed air blower.

# MALFUNCTION DIAGNOSIS : NO GAS CUT-OFF AFTER RELEASING THE TRIGGER



When the trigger is released, the combustion nozzle should shut off instantly.

Otherwise : Open the trigger.

Lubricate the piston of the dust-contaminated valve.  
In case of repeated blockage, have the valve changed by your authorized Ripack dealer .

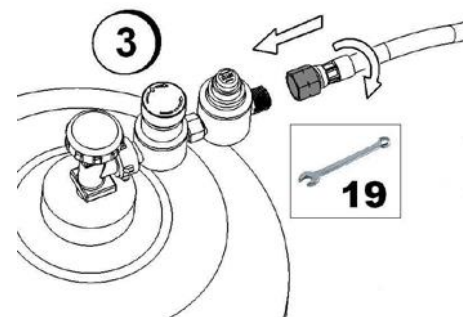


## VÉRIFICATION DU DÉTENDEUR SÉCURIPACK

**EVERY 500 HOURS OR AT LEAST EVERY TRIMETER,** check the hose rupture safety device (built into the SECURIPACK) for proper operation by doing the following:

Stand outside, away from any source of ignition, sparks and Place yourself outside, away from sources of ignition, sparks and ignition sources.

Pressurise the appliance; with the key provided, unlock the hose connection nut and unscrew it completely. The gas must be shut off.



# VÉRIFICATION DU RIPACK

## **EVERY DAY before starting work:**

1. Check the good condition hose along its entire length and at the connections.  
We recommend replacing it in the following cases: When the visual inspection has detected injuries (cuts), even superficial ones  
Every 3 years for intensive use  
At least every 5 years after commissioning  
Note: The date on the hose is the date of manufacture.

## **Only use a replacement hose supplied by Ripack with its original crimped connections!**

1. Check the gas supply is switched off by releasing the trigger. See : NO GAS CUT-OFF on previous page.

**FIND OUR TUTORIALS ON THE  
SITE**

**<https://ripack.com/en/tutorials/ripack-2100/>**





# WARRANTY

The products delivered by RIPACK® (SEFMAT Group) are covered by a contractual warranty for a period of two (2) years from the date of delivery, covering any latent defect resulting from a defect in material or manufacturing design affecting the Ripack 2100 gun and rendering it unfit for use.

This contractual guarantee **applies only to the first user of the Ripack 2100 gun after registration of the product on the RIPACK® website** at the following address <https://ripack.com/en/register-a-product/>. For the application of this warranty, the Ripack 2100 gun must be registered within three (3) months following the purchase of the product.

The purpose of this warranty is to ensure the proper functioning of the Ripack 2100 gun that has suffered an internal breakdown. In order to assert his rights, the user of the Ripack 2100 gun must inform RIPACK®, in writing to the following address [info@sefmat.com](mailto:info@sefmat.com), of the existence of the defects within a period of time maximum of seven (7) days from their discovery. **This warranty covers the costs of repairing the Ripack 2100** (parts, labor and return postage, the outward carriage remains at the expense of the customer) or to its replacement (in the event that it cannot be repaired). It does not entitle the customer to any compensation in kind or in cash.

The replacement of defective Products or parts will not extend the duration of the above-mentioned warranty.

The warranty forms an inseparable whole with the Ripack 2100 gun sold by SEFMAT or its authorized reseller . The Ripack 2100 gun cannot be sold or resold altered, transformed or modified. Validation by our approved partners or by our manufacturing site will only be possible if all the parts that make up your heat shrink gun (shrink gun, swivel, hose and regulator) are returned to us. Without the complete return, we will not be able to validate the warranty.

Our two (2) year contractual warranty DOES NOT APPLY in cases of force majeure and does not cover :

- Deterioration, normal wear and tear of the product and in particular **the following wearing parts: piezo igniter #131003, spark plug #132054, gas hose #250072.**
- Accessories added after the purchase of the product (if applicable, a specific warranty related to the accessory concerned will apply).
- Defects related to damage, an act of God or an accident from, for example, a shock or a fall.
- Abnormal use, misuse or use under conditions different from those for which the product was manufactured, in particular in the event of failure to comply with the conditions prescribed in the RIPACK® instructions for use.
- Transformations of the product and in particular the modifications made or the addition of parts not coming from the manufacturer .
- Failure to regularly maintain the product as described on page 20 of the instructions for use of RIPACK®, negligence or lack of supervision of the product on the part of the purchasing customer .
- Pre-existing repair of the product not provided by RIPACK® or an authorized RIPACK® reseller.
- Products no longer bearing the label or identification number or products with a changed identification number.

# RIPACK® 2100

DISTRIBUTOR



**CHECK YOUR PRESSURE REGULATOR NUMBER**



<b>UL</b>		<b>131200</b>
-----------	--	---------------

Article Code	Description
131003	Piezo igniter (for heat gun without extension wand)
133132	Wrench 19
133415	Allen key 3
133531	Half-handle - right
133532	Half-handle - left
133533	Trigger
135294	Spacer for handle
140010	Flat Seal for Regulator NF
140102	Flat Seal for Regulator UNI
144052	User's guide RIPACK 2100
148043	Swivel connector
152052	Screw CHc M 4 x 16
152153	Screw CHc M4x35
231173	Bumpers set
231224	Complete set combustion nozzle (spark plug+contact+spacers)
231230	Aluminium tube and jet / Ripack 2100
233419	Pawl & Spring - Trigger lock
248113	Gas tap
250072	Rubber Hose, 8 m with connections 3/8L (int Ø 6)



**DÉCLARATION DE CONFORMITÉ CE**  
**EC- DECLARATION OF CONFORMITY**  
**CE - KONFORMITÄTSERKLÄRUNG**

Le fabricant soussigné :  
The manufacturer undersigned :  
Der unterzeichnete Hersteller:

SEFMAT S.A.S, 7 RUE DE BETNOMS, 33185 LE HAILLAN, FRANCE

Déclare que l'appareil :  
Hereby declares that the appliance :  
Erklärt hiermit, dass das Gerät :

**RIPACK 2100**

destiné à la production d'une flamme produite par la combustion de gaz  
designed to produce a flame produced by the combustion of gas  
zue Erzeugung einer durch Verbrennung von Gas erzeugten Flamme bestimmt ist,

est conforme aux dispositions du Règlement (UE) 2016/426 du 9 mars 2016 concernant les appareils brûlant des combustibles gazeux.

is in accordance with the Regulation (EU) 2016/426 of 9 March 2016 on appliances burning gaseous fuels.

den Anforderungen der Verordnung (EU) 2016/426 vom 9. März 2016 über Geräte zur Verbrennung gasförmiger Brennstoffe entspricht.

Cette conformité est confirmée par le laboratoire DVGW CERT sous le numéro DG-2418BR0325.

This conformity is confirmed by the DVGW CERT laboratory under number DG-2418BR0325.

Diese Konformität ist vom DVGW-CERT-Labor unter der Nummer DG-2418BR0325 bestätigt.

Fait au Haillan, le 15 novembre 2020  
Le Haillan, November 15th, 2020  
Le Haillan, 15. November 2020

Le Président  
President  
Vorstandsvorsitzender

CERTIFICATIONS INTERNATIONALES  
WORLD CERTIFICATIONS



